

UG0209
User Guide
SmartFusion Evaluation Kit





Power Matters.™

Microsemi Corporate Headquarters

One Enterprise, Aliso Viejo,
CA 92656 USA

Within the USA: +1 (800) 713-4113

Outside the USA: +1 (949) 380-6100

Fax: +1 (949) 215-4996

Email: sales.support@microsemi.com

www.microsemi.com

© 2017 Microsemi Corporation. All rights reserved. Microsemi and the Microsemi logo are trademarks of Microsemi Corporation. All other trademarks and service marks are the property of their respective owners.

Microsemi makes no warranty, representation, or guarantee regarding the information contained herein or the suitability of its products and services for any particular purpose, nor does Microsemi assume any liability whatsoever arising out of the application or use of any product or circuit. The products sold hereunder and any other products sold by Microsemi have been subject to limited testing and should not be used in conjunction with mission-critical equipment or applications. Any performance specifications are believed to be reliable but are not verified, and Buyer must conduct and complete all performance and other testing of the products, alone and together with, or installed in, any end-products. Buyer shall not rely on any data and performance specifications or parameters provided by Microsemi. It is the Buyer's responsibility to independently determine suitability of any products and to test and verify the same. The information provided by Microsemi hereunder is provided "as is, where is" and with all faults, and the entire risk associated with such information is entirely with the Buyer. Microsemi does not grant, explicitly or implicitly, to any party any patent rights, licenses, or any other IP rights, whether with regard to such information itself or anything described by such information. Information provided in this document is proprietary to Microsemi, and Microsemi reserves the right to make any changes to the information in this document or to any products and services at any time without notice.

About Microsemi

Microsemi Corporation (Nasdaq: MSCC) offers a comprehensive portfolio of semiconductor and system solutions for aerospace & defense, communications, data center and industrial markets. Products include high-performance and radiation-hardened analog mixed-signal integrated circuits, FPGAs, SoCs and ASICs; power management products; timing and synchronization devices and precise time solutions, setting the world's standard for time; voice processing devices; RF solutions; discrete components; enterprise storage and communication solutions, security technologies and scalable anti-tamper products; Ethernet solutions; Power-over-Ethernet ICs and midspans; as well as custom design capabilities and services. Microsemi is headquartered in Aliso Viejo, California, and has approximately 4,800 employees globally. Learn more at www.microsemi.com.

Contents

1	Revision History	1
1.1	Revision 7.1	1
1.2	Revision 7.0	1
1.3	Revision 6.0	1
1.4	Revision 5.0	1
1.5	Revision 4.0	1
1.6	Revision 3.0	1
1.7	Revision 1.0	2
2	Introduction	3
2.1	Kit Contents	3
2.2	Board Description	3
3	Installation and Settings	5
3.1	Software Settings	5
3.2	Jumpers Settings	5
3.3	Switch Settings	6
3.4	LED Settings	6
4	Hardware Components	9
4.1	Description and Connections	9
4.2	I/O Pin Connections	11
4.3	SmartFusion Hard ARM Cortex-M3 Processor	12
4.4	Power Sources	12
4.4.1	SmartFusion Power Sources	12
5	Component Descriptions and Connections	13
5.1	VAREF Connections	13
5.2	Current Sensing Circuit	13
5.3	PWM Circuit	13
5.4	Push-Button System Reset	14
5.5	Push-Button Switches and User LEDs	15
5.6	User I/Os	16
5.7	OLED Display	16
5.8	SPI Flash	17
5.9	20 MHz Oscillator	17
5.10	32.768 KHz (Low-Power) Oscillator	17
5.11	USB-to-UART Interface	18
5.12	Ethernet Interface	20
5.12.1	Clocking Scheme for RMII CLK	20
5.13	RealView Header	22
5.14	Integrated Low-Cost Programmer	22
5.15	Temperature Diode	24
5.16	Mixed Signal Header	24
5.17	Pinout Definition	26
6	Pin List	28

7	Board Stack-up	40
8	Demo Design	42
8.1	Jumper Settings for Demo Design	42
8.2	Running the Demo Design	42
8.3	Multimeter Mode	43
8.4	Webserver Mode	43
8.5	Real Time Data Display	45
8.6	LED Test	45
9	Manufacturing Test	46
9.1	A2F-EVAL-KIT-2 Board Testing Procedures	46
9.1.1	Jumper Settings for the Board Test	46
9.1.2	Installing the A2F-EVAL-KIT-2 Board USB Serial Driver	46
9.1.3	Hooking up the Board and UART Cable	46
9.1.4	Hooking Up the Board and Ethernet Cable	47
9.1.5	Hooking up the A2F-EVAL-KIT-2 Board Built-in Programmer to PC	47
9.1.6	Setting Up the Test Terminal	50
9.2	Running the A2F-EVAL-KIT-2 Board Test	54
9.2.1	RESET Test	56
9.2.2	UART Test	58
9.2.3	Ethernet Test	60
9.2.4	Analog Test	62
9.2.5	RTC Test	65
9.2.6	SPI Test	67
9.2.7	Switch/LED Test	68
9.2.8	I ² C EEPROM	70
9.2.9	RS485 Test	70
9.2.10	AGL Memory Test	74
9.3	A2F-EVAL-KIT-2 Board Failures	76

Figures

Figure 1	A2F-EVAL-KIT-2	3
Figure 2	SmartFusion MSS Block Diagram	11
Figure 3	VAREFOUT to VAREF0 and VAREF1	13
Figure 4	VAREF0 and VAREF1 Inputs of FPGA	13
Figure 5	Current Sensing	13
Figure 6	PWM Pins	14
Figure 7	PWM Circuit	14
Figure 8	Push-Button System Reset	14
Figure 9	Test LEDs	15
Figure 10	LEDs	15
Figure 11	3-Pin Jumper Options for LED	15
Figure 12	User I/Os	16
Figure 13	OLED Connections	16
Figure 14	SmartFusion MSS I2C0 Interface	16
Figure 15	SPI Flash	17
Figure 16	SmartFusion MSS SPIO Port	17
Figure 17	20 MHz and 32.768 MHz Oscillators	17
Figure 18	USB to UART	19
Figure 19	UART Port 0	20
Figure 20	Ethernet Clocking Scheme	20
Figure 21	Ethernet Interface	21
Figure 22	RealView Header	22
Figure 23	Integrated Low-Cost Programmer	23
Figure 24	A2F200 JTAG Connections	24
Figure 25	Temperature Diode	24
Figure 26	Top View of Mixed Signal Headers Correct Orientation	25
Figure 27	Correct Insertion of Daughter Board	25
Figure 28	A2F-EVAL-KIT-2 PCB Layer Stack-Up	40
Figure 29	A2F-EVAL-KIT-2 Top Silk-Screen	41
Figure 30	Serial Terminal Emulation Program (HyperTerminal) Window	43
Figure 31	SmartFusion Webserver Home page	44
Figure 32	SmartFusion Webserver Real Time Display Web Page	45
Figure 33	Board Manufacturing Test Setup	47
Figure 34	FlashPro New Project Setup	48
Figure 35	New Project Creation	49
Figure 36	Selecting Manufacturing Test STAPL File	49
Figure 37	HyperTerminal Program Setup	50
Figure 38	HyperTerminal Setup	51
Figure 39	HyperTerminal Port Selection	51
Figure 40	HyperTerminal Port Settings	52
Figure 41	HyperTerminal Properties	53
Figure 42	ASCII Character Settings	54
Figure 43	Manufacturing Test Menu	55
Figure 44	Reset Test	56
Figure 45	Reset Test Result	57
Figure 46	UART Test	58
Figure 47	UART Test Result	59
Figure 48	Ethernet Test	60
Figure 49	Ethernet Test Result	61
Figure 50	Analog Test	62
Figure 51	POT RV1	63
Figure 52	Analog Test Starting Results	63
Figure 53	Analog Test Ending Results	64
Figure 54	RTC Test	65

Figure 55	RTC Test Passed	66
Figure 56	SPI Test	67
Figure 57	LED Test	68
Figure 58	Switch Test	69
Figure 59	I2C EEPROM Test	70
Figure 60	COM1 Setting	70
Figure 61	Connect To Dialog	71
Figure 62	ASCII Setup	71
Figure 63	RS485 Test	72
Figure 64	RS485 Test Message	72
Figure 65	RS485 Test Message 2	73
Figure 66	RS485 Test Passed	73
Figure 67	Select AGL Memory Test	74
Figure 68	AGL Memory Test	75
Figure 69	AGL Test – Erasing Chip	75
Figure 70	AGL Test Passed	76

Tables

Table 1	A2F-EVAL-KIT-2 Contents	3
Table 2	SmartFusion Evaluation Kit Board Components	4
Table 3	SmartFusion Evaluation Kit Jumper Settings	5
Table 4	SmartFusion Evaluation Kit Push-Button Switches	6
Table 5	SmartFusion Evaluation Kit LED	6
Table 6	LED Table	6
Table 7	Test Point	7
Table 8	J22 Header Strip – User I/Os	7
Table 9	Header for VAREF Monitoring	7
Table 10	JP8 UART Header	7
Table 11	JP9 I2C Header	7
Table 12	J23 SPI Header	8
Table 13	A2F200 Key Features	10
Table 14	A2F200 I/O	11
Table 15	UART HyperTerminal Settings	18
Table 16	RVI Header Jumper Settings	22
Table 17	Jumper Settings to Debug with SoftConsole	23
Table 18	Jumper Settings for A2F200 Programming	23
Table 19	Pinout Definition	26
Table 20	Pin List39	28
Table 21	Manufacturing Test Jumper Settings	42
Table 22	Manufacturing Test Jumper Settings	46

1 Revision History

The revision history describes the changes that were implemented in the document. The changes are listed by revision, starting with the most current publication.

1.1 Revision 7.1

Component description, connection section of OLED, OLED manufacturing test, and board image are updated.

1.2 Revision 7.0

The following is a summary of the changes in revision 7.0 of this document.

- Modified "Power Sources" section (SAR 40094).
- Replaced all mentions of the A2F-EVAL-KIT part number to the new A2F-EVAL-KIT- 2 part number (SAR 39978).

1.3 Revision 6.0

The following is a summary of the changes in revision 6.0 of this document.

- Added new Figure 1 and modified Table 1 (SAR 36580).
- Modified "Board Description" section and contents of Table 2 (SAR 36580).
- Modified "Software Installation" section (SAR 36580).
- Added new Table 1-4, Table 1-8, Table 1-9, and Table 1-10 (SAR 36580).
- Modified "I/O Pin Connections" section (SAR 36580).
- Modified "VAREF Connections" section and modified Figure 3-1 (SAR 36580).
- Modified "Push-Button Switches and User LEDs" section and added Figure 3-9 (SAR 36580).
- Modified text placed at the top of Table 4-1 (SAR 36580).
- Updated Figure 5-2 (SAR 36580).
- Updated Table 6-1 (SAR 36580).

1.4 Revision 5.0

The following is a summary of the changes in revision 5.0 of this document.

- Modified the paragraph in "A2F-EVAL-KIT Board Failures" section (SAR 25394).
- Corrected the link listed under "A2F-EVAL-KIT-2 Board Testing Procedures" section (SAR 25395).
- In the "Pinout Definition" section, the description of pins 73,74,77, and 78 are set to ADC2, ADC3, ADC4, and ADC5. The pins 57, 58, 60, 69, 70, 85, 86, 89, and 90 are set as not connected (NC) (SAR 30077).
- Incorporated necessary text under "Installing the A2F-EVAL-KIT Board USB Serial Driver" section (SAR 25396).

1.5 Revision 4.0

The "Pinout Definition" table in the "Component Descriptions and Connections" chapter was updated (SAR 31533).

1.6 Revision 3.0

The following is a summary of the changes in revision 3.0 of this document.

- The "Demo Design" chapter was added (SAR 27577).
- Reference added in the "Software Installation" section for IAR and Keil Software support to SmartFusion cSoC devices (SAR 27579).

1.7 Revision 1.0

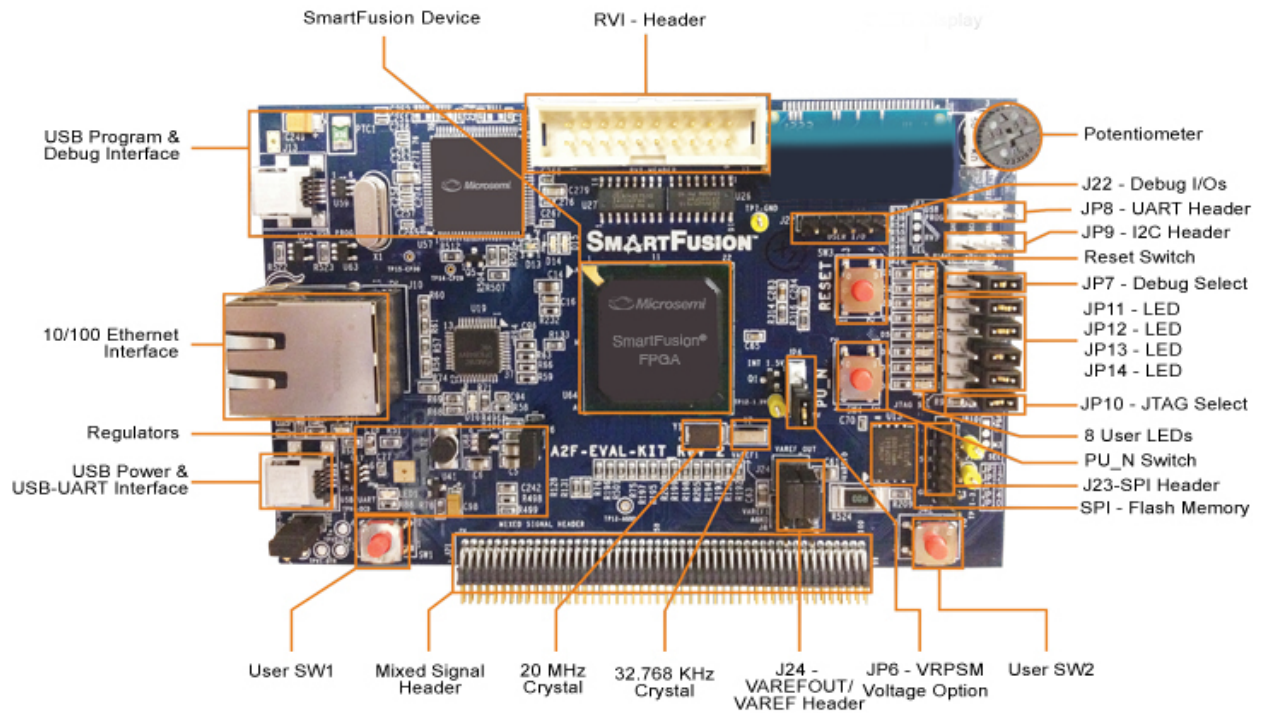
The "Mixed Signal Header" section was added.

2 Introduction

The RoHS-compliant SmartFusion® Evaluation Kit (A2F-EVAL-KIT-2) enables designers to develop applications that involve one or more of the following:

- Microcontroller applications
- Embedded ARM Cortex-M3 processor-based systems

Figure 1 • A2F-EVAL-KIT-2



2.1 Kit Contents

The following table lists the contents of the SmartFusion Evaluation Kit.

Table 1 • A2F-EVAL-KIT-2 Contents

Item	Quantity
SmartFusion Evaluation Board with SmartFusion A2F200M3F-FGG484 device	1
USB 2.0 A to mini-B cable	2
Quickstart card	1

2.2 Board Description

The SmartFusion Evaluation Kit board is designed to provide a development platform for users to evaluate all the features of the world's only customizable system-on-chip with a hard ARM Cortex-M3 processor powered microcontroller subsystem (MSS) along with programmable analog.

The board supports a SmartFusion cSoC in an FG484 package to enable the MSS, analog, and features for evaluation.

The board includes the following:

- Ethernet and USB-to-UART interface for communication with the Ethernet and UART peripherals of the SmartFusion MSS
- SPI flash that interfaces with the SPI peripherals of the SmartFusion MSS
- I²C Interface
- Current monitoring and temperature monitoring circuits
- RVI header for application programming and debug from either Keil U-LINK or IAR J-Link, integrated low-cost programmer to enable programming and debugging from Microsemi design tools, FlashPoint and Soft Console.

The following table lists the SmartFusion Evaluation Kit board components.

Table 2 • SmartFusion Evaluation Kit Board Components

Name	Description
A2F200M3F-FGG484	Microsemi SmartFusion cSoC with hard ARM Cortex-M3 processor
SPI FLASH	8 MByte SPI flash Atmel AT25DF641-MWH-T connected to SPI port 0 of the SmartFusion MSS
OSC-20	20 MHz / 20 PPM clock oscillator
OSC-32	32.768 KHz low power oscillator
USB/UART	USB-to-UART adapter chip CP2102 and connector interfacing with UART port 0 of the SmartFusion MSS
ETHERNET	RJ45 connector (Ethernet jack with magnetics) interfacing with National Semiconductor 10/100 PHY chip DP83848C in RMII mode interfacing with Ethernet port of SmartFusion MSS (on-chip MAC and external PHY)
CURRENT	Current monitoring using thumbwheel POT (RV1)
TEMP	Temperature monitoring with temperature diode
RVI HEADER	RVI header for application programming and debug from Keil U-LINK or IAR J-Link
FP3_PROG	Integrated low-cost programmer
PUSH-BUTTON SWITCHES	Two push-button switches connected to GPIOs, which can be used as test and navigation switches
LEDS	Eight active low LEDs that can be connected to user I/O for debug to power on the board
USER I/Os	Five general purpose user I/Os that can be used for Direct-C signaling, interfacing and debugging purposes
PUSH-BUTTON RESET	Push-button system reset for SmartFusion cSoC system
MIXED_CONN100	Mixed signal header

3 Installation and Settings

This section provides information about software and hardware settings required to run the pre-programmed demo design in the SmartFusion Evaluation Kit.

3.1 Software Settings

Download and install the latest release of Microsemi Libero[®] System-on-Chip (SoC) (v10.0 or later) from the Microsemi SoC Products Group website and register for your free Silver license. For instructions on how to install Libero SoC and SoftConsole, refer to the Libero SoC Installation and Licensing Guide, available at www.microsemi.com/soc/documents/libero_ug.pdf.

Refer to the *Installing IP Cores and Drivers User's Guide* for downloading and installing Microsemi DirectCores, SGCores, and Driver firmware cores that must be localized on the personal computer where Libero SoC is installed when designing with Microsemi devices.

Microsemi has partnered with key industry leaders in the microcontroller space to provide a robust *SmartFusion ecosystem*. SmartFusion cSoCs are supported by the latest IAR Systems[®] release, IAR Embedded Workbench[®] for ARM. Refer to *Designing SmartFusion with IAR Systems* for more information.

The SmartFusion cSoC is also supported by Keil's latest release, MDK-ARM Microcontroller Development Kit. Refer to *SmartFusion Designing with Keil* for more information.

3.2 Jumpers Settings

The recommended default jumpers settings are listed in the following table. Connect the jumpers with the default settings to enable the pre-programmed demonstration design to function correctly.

Table 3 • SmartFusion Evaluation Kit Jumper Settings

Jumper	Function	Default Settings	Notes
J6	Jumper to select second 3.3 V (V3P3_F2) power supply for board	Closed	
JP6	Jumper to select either 1.5 V external regulator or SmartFusion 1.5 V internal regulator		
	Pin 1–2 = 1.5 V internal	Closed	
	Pin 2–3 = 1.5 V external	Open	
JP7	Jumper to select between RVI header or LCP header for application debug	–	
	Pin 1–2 = USB programming and SoftConsole	Closed	
	Pin 2–3 = RVI for Keil U-LINK/IAR J-link	Open	
JP10	Jumper to select JTAGSEL		Allows selection of A2F200 programming or Cortex-M3 processor debug with integrated low-cost programmer
	Pin 1–2 = FPGA, allows A2F200 programming	Closed	
	Pin 2–3 = M3, allows Cortex-M3 processor debug	Open	

3.3 Switch Settings

The recommended push-button switch settings are listed in the following table.

Table 4 • SmartFusion Evaluation Kit Push-Button Switches

Push-Button Switch	SmartFusion Pin	Comments
SW1	G19	Test and navigation switch
SW2	G20	Test and navigation switch
SW3	W7 (PU_N)	Push-button switch for PUB. This negative active switch is connected to the PUB pin, which is a digital input to the FPGA fabric. PUB is the connection for the external momentary switch used to turn on the 1.5 V voltage regulator.
SW4	R1 (MSS_SYSRESET)	System Reset for DUT

3.4 LED Settings

The recommended push-button LED settings are listed in the following table.

Table 5 • SmartFusion Evaluation Kit LED

LED	SmartFusion Pin	Comment
D1	B19	Test LED for user application
D2	B20	Test LED for user application
D3	C19	Test LED for user application
D4	H17	Test LED for user application
D5	H20	Test LED for user application
D6	C21	Test LED for user application
D7	D21	Test LED for user application
D8	G21	Test LED for user application
D11	N/A	UART over USB link indicator LED
D14	N/A	Programmer activity indicator LED
D15	N/A	Programmer ON indicator LED
D16	N/A	SPEED LED. The LED is ON when device is in 100 Mbps mode and OFF when in 10 Mbps mode.
LED1	N/A	USB power supply indicator LED. This GREEN LED is ON when the board is powered on.

The following table lists the LEDs and jumpers.

Table 6 • LED Table

Jumper	LED	Comment
JP11	D5	Controls LED access for LED5
JP12	D6	Controls LED access for LED6
JP13	D7	Controls LED access for LED7
JP14	D8	Controls LED access for LED8

The available headers and their usage are detailed in Table 1-5 and Table 1-6 on page 9.

Table 7 • Test Point

Pin	FPGA I/O
TP7, TP8	Digital ground (GND)
TP11	3.3 V supply for SmartFusion cSoC
TP12	1.5 V for SmartFusion cSoC
TP13	Analog ground (AGND)

Table 8 • J22 Header Strip – User I/Os

Pin	FPGA I/O
1	J19
2	J20
3	J21
4	J22

The following table lists the header for VAREF monitoring.

Table 9 • Header for VAREF Monitoring

Jumper	Description
J5	Used to monitor VAREF0 driven from VAREFOUT output of the SmartFusion device
J8	Used to monitor VAREF1 driven from VAREFOUT output of the SmartFusion device
J24	Header for VAREFOUT/VAREF output of the SmartFusion Device

Note: Never put a jumper on these headers. These are provided to measure and monitor VAREF0 and VAREF1.

The following table lists the JP8 UART header.

Table 10 • JP8 UART Header

Pin	MSSIO/GPIO
1	28 - UART_1_TXD1
2	29 - UART_1_RXD1
3	GND

The following table lists the JP9 I2C header.

Table 11 • JP9 I2C Header

Pin	MSSIO/GPIO
1	30 - I2C_1_SDA1
2	31 - I2C_1_SCL1
3	GND

The following table lists the J23 SPI header.

Table 12 • J23 SPI Header

Pin	MSSIO/GPIO
1	24 - SPI_1_DO
2	25 - SPI_1_DI
3	26 - SPI_1_CLK
4	27 - SPI_1_SS
5	GND

4 Hardware Components

4.1 Description and Connections

The SmartFusion Evaluation Kit board is populated with a SmartFusion A2F200-FG484. Following are the key features of the SmartFusion cSoC.

The microcontroller subsystem (MSS) consists of the following:

- 100 MHz 32-bit ARM Cortex-M3 processor
 - 1.25 DMIPS/MHz throughput from zero wait state memory
- Internal memories
 - Embedded flash memory (eNVM), 64 Kbytes to 512 Kbytes
 - Embedded high-speed SRAM (eSRAM), 16 Kbytes to 64 Kbytes, implemented in two physical blocks to enable simultaneous access from two different masters
- Multi-layer AHB communications matrix
 - Provides up to 16 Gbps of on-chip memory bandwidth
- 10/100 Ethernet MAC with RMII interface
- Programmable external memory controller, which supports the following:
 - Asynchronous memories
 - NOR flash, SRAM, PSRAM
 - Synchronous SRAMs
- Two I²C peripherals
- Two 16550 compatible UARTs
- Two SPI peripherals
- Two 32-bit timers
- 32-bit watchdog timer
- 8-channel DMA controller
- Clock sources
 - 1.5 MHz to 20 MHz main oscillator
 - Battery-backed 32 KHz low power oscillator with real-time counter (RTC)
 - 100 MHz embedded RC oscillator 1% accuracy
 - Embedded PLL with 4 output phases
- High-performance FPGA
- Based on Microsemi's proven ProASIC[®]3 FPGA fabric
- Analog front-end (AFE)
- Up to three 12-bit SAR analog-to-digital converters (ADCs)
- One first-order $\Sigma\Delta$ (sigma delta) digital-to-analog converter (DAC) per ADC
- Up to 5 new high-performance analog signal conditioning blocks (SCB) per device
- Two high-speed comparators
- Analog compute engine (ACE)
 - Offloads CPU from analog initialization and processing of ADC, DAC, and SCBs
 - Sample sequencing engine for ADC and DAC parameter setup
 - Post-processing engine (PPE) for functions such as low-pass filtering and linear transformation

The following table list the key features of SmartFusion.

Table 13 • A2F200 Key Features

Feature	Specification
System gates	200,000
Tiles (D-flip flops)	4,608
RAM blocks (4,608 bits)	8
Flash (Kbytes)	256
SRAM (Kbytes)	64
Cortex-M3 processor with MPU	1
10/100 Ethernet MAC	Yes
Ethernet memory controller (EMC)	26-bit address, 16-bit data
DMA	8 Ch
I ² C	2
SPI	2
16550 UART	2
32-bit timer	2
PLL	1
32 KHz low power oscillator	1
100 MHz on-chip RC oscillator	1
Main oscillator	1
ADCs (12-bit SAR)	2
DACs (1-bit sigma-delta)	2
Signal conditioning blocks (SCBs)	4
Comparators ¹	8
Current monitor ¹	4
Temperature monitors ¹	4
HV bipolar voltage monitors ¹	8
Direct analog input to ADC ¹	18

1. The maximum available resources have dependencies. For more information about SmartFusion cSoCs, see the [SmartFusion Customizable System-on-Chip \(cSoC\) Datasheet](#).

The following table list the key features of SmartFusion I/Os.

Table 14 • A2F200 I/O

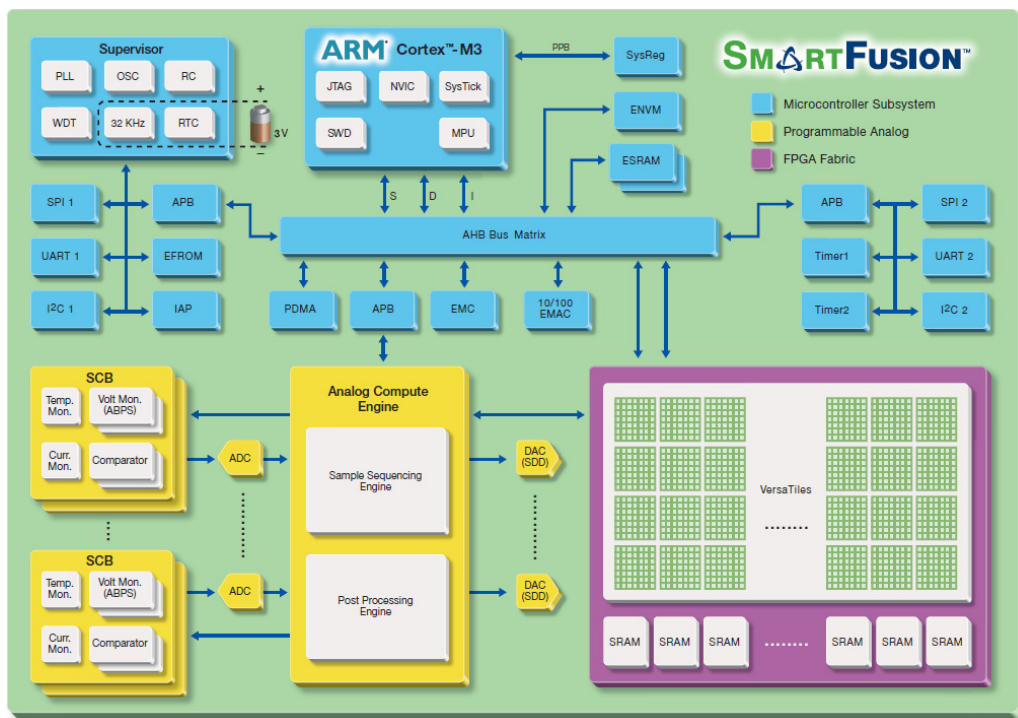
I/Os	FG484
Direct analog input	8
Total analog input	24
Total analog output	2
MSS I/O	42
FPGA I/O	94
Total I/O	161

Note: 16 MSS I/Os are multiplexed and can be used as FPGA I/Os, if not needed for the MSS. These I/Os support Schmitt triggers and support only LVTTTL and LVC MOS (1.5 / 1.8 / 2.5, and 3.3 V) standards.

Note: 9 MSS I/Os are primarily for 10/100 Ethernet MAC and are also multiplexed and can be used as FPGA I/Os if Ethernet MAC is not used in a design. These I/Os support Schmitt triggers and support only LVTTTL and LVC MOS (1.5 / 1.8 / 2.5, and 3.3 V) standards.

The following figure shows the SmartFusion MSS Block Diagram

Figure 2 • SmartFusion MSS Block Diagram



4.2 I/O Pin Connections

The A2F200M3F-FGG484 pin list is provided in the [Pin List](#), page 28.

4.3 SmartFusion Hard ARM Cortex-M3 Processor

The SmartFusion cSoC comes with a hard Cortex-M3 advanced processor-based MSS. The ARM Cortex-M3 microcontroller is a low power processor that features low gate count, low predictable interrupt latency, and low cost debug. It is intended for deeply embedded applications that require fast interrupt response features. SmartFusion cSoCs use the R1P1 version of the Cortex-M3 processor core. Some of the important subsystems are listed below:

- Memory protection unit (MPU)
- Single cycle multiplication and hardware divide
- JTAG debug (4 wire), Serial Wire Debug (SWD – 2 wire), and Serial Wire Viewer (SWV) interfaces

The Evaluation board is populated with components to enable development using the MSS. These components include SPI flash and communication interfaces such as Ethernet and USB-to-UART.

4.4 Power Sources

4.4.1 SmartFusion Power Sources

The Evaluation Kit board is powered through USB. The USB power will supply power to three voltage rails: 3.3 V, 1.5 V, and 10 V.

- Microsemi NX4108 (1 A), supplies 3.3 V and 1.5 V rails

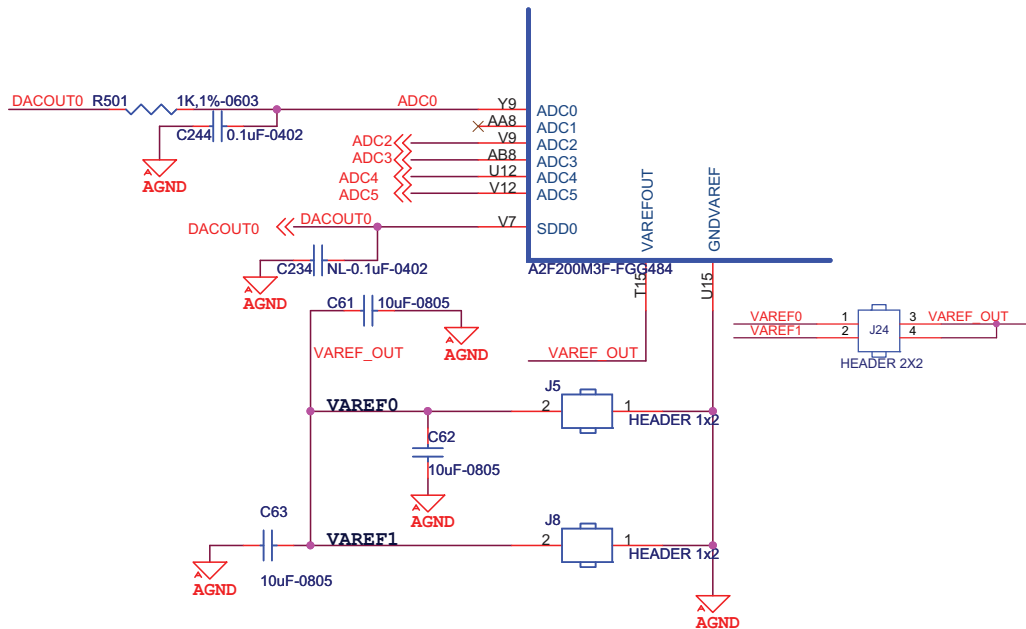
The USB can provide a maximum current of 500 mA. If the application requires a daughter board, you must use an independent power supply source.

5 Component Descriptions and Connections

5.1 VAREF Connections

The SmartFusion cSoC has one external VAREF input pin for each of the ADCs in the device. These are VAREF0 for ADC0 and VAREF1 for ADC1, as shown in the following figure. The internal VAREF is brought out as an output. This is available as the VAREFOUT header J24.

Figure 3 • VAREFOUT to VAREF0 and VAREF1



On the A2F-EVAL-KIT-2 board, the VAREF0 and VAREF1 inputs are hardwired to the VAREFOUT output of the SmartFusion cSoC, as shown in the following figure. This means you should not drive these inputs from any external source. Three headers J5, J8, and J24 are provided to monitor the VAREF0, VAREF1 and VAREFOUT for any debug purposes.

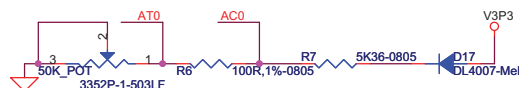
Figure 4 • VAREF0 and VAREF1 Inputs of FPGA



5.2 Current Sensing Circuit

A current sensing circuit is provided on the SmartFusion Evaluation Kit board for applications using the embedded current monitor. Current monitoring is performed across the AC0 and AT0 pins. The current sensing circuit is for the 3.3 V voltage rail, as shown in the following figure.

Figure 5 • Current Sensing



5.3 PWM Circuit

The PWM RC circuit depicted in Figure 6, page 14 and Figure 7, page 14 can be used with Microsemi CorePWM instantiated in the FPGA fabric to generate various voltage waveforms. These voltage

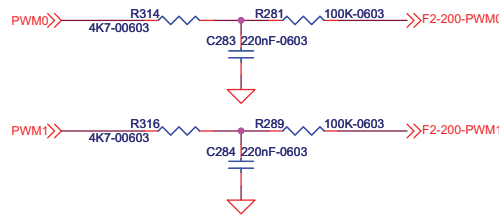
waveforms can be displayed through the mixed signal header. In addition, one PWM RC circuit source is routed to the AV input pin of an analog quad. This AV pin can be used to monitor the generated voltage with high accuracy, depending on the ADC resolution configured in the FPGA.

Figure 6 • PWM Pins



The following figure shows the A2F200 pins driving PWM and the PWM circuit.

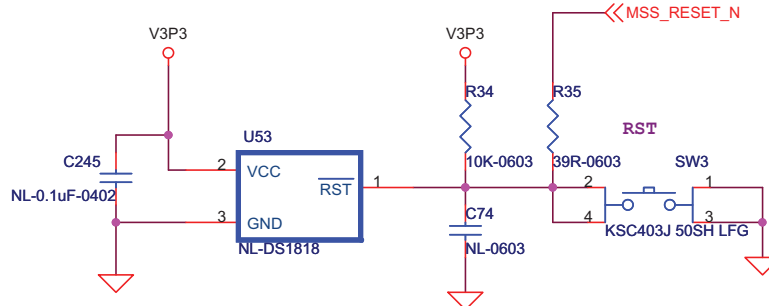
Figure 7 • PWM Circuit



5.4 Push-Button System Reset

A push-button system reset switch with a schmitt trigger is provided on the board, as shown in the following figure. The Schmitt trigger reduces noise on the system reset push-button. The SmartFusion MSS reset is synchronized with this reset.

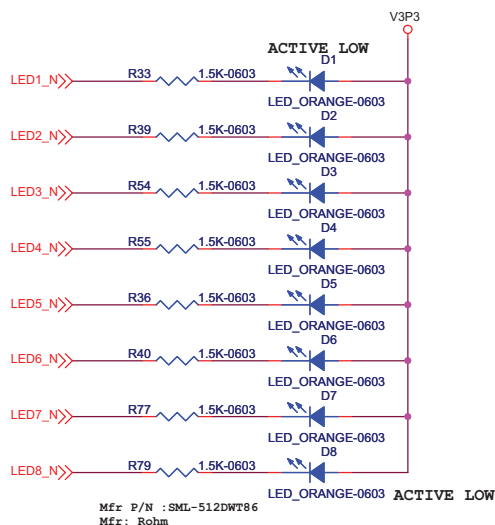
Figure 8 • Push-Button System Reset



5.5 Push-Button Switches and User LEDs

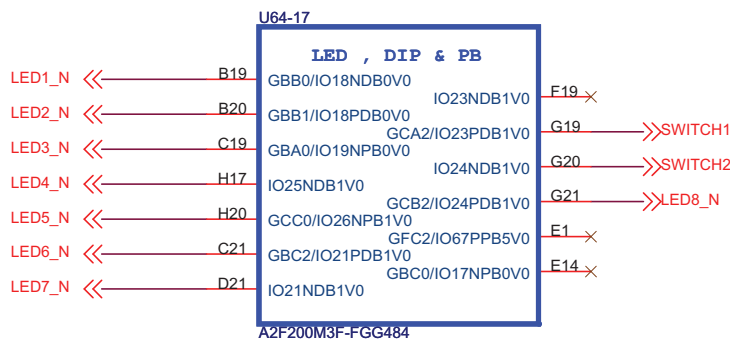
Push-button switches and LEDs can also be used for debug and for various applications, such as gaming.

Figure 9 • Test LEDs



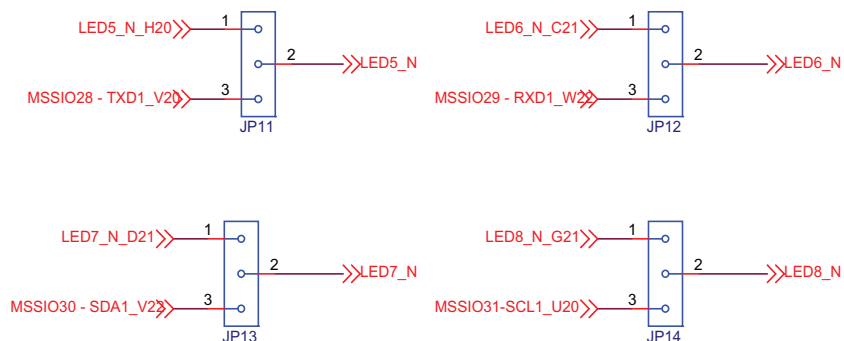
The SmartFusion Evaluation Kit board provides the user to access eight active low LEDs , which are connected to SmartFusion cSoC pins B19, B20, C19, H17, H20, C21, D21, and G21.

Figure 10 • LEDs



Jumpers JP11, JP12, JP13, and JP14 grant users control options over four of the LEDs. In addition, the board includes two push-button switches that are connected to pins G19 and G20 of the SmartFusion cSoC.

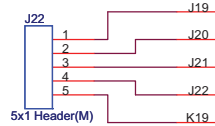
Figure 11 • 3-Pin Jumper Options for LED



5.6 User I/Os

The board comes with the provision of five user I/Os brought out to jumper J22 . These can be used as general purpose user I/Os. One of the potential applications is DirectC signaling where these five pins can be used for JTAG signals (TDI, TDO, TMS, TCK, and TRSTN). Other possible uses are for interfacing with other boards and debugging.

Figure 12 • User I/Os



5.7 OLED Display

A 96x16-pixel matrix low power OLED is made available on the board for display (). This low power device, WHITE OLED, requires 3.3 V and 10 V power supplies. The OLED is interfaced with the SmartFusion MSS I2C0 port (). The OLED displays sharp gaming images or text.

For example, the SmartFusion RTC current time or time between two events can be displayed on the OLED. The OLED inputs OLED_BS1, OLED_BS2, and OLED_CSN are tied off and OLED_D/C# is pulled down as required to work with I²C mode.

Note: The latest revision of SmartFusion Evaluation kit(A2F-EVAL-KIT-2) does not have an OLED component populated on the board. For more information, see [CN1418A: Addendum A - Designing without OLED Display on Kits](#).

Figure 13 • OLED Connections

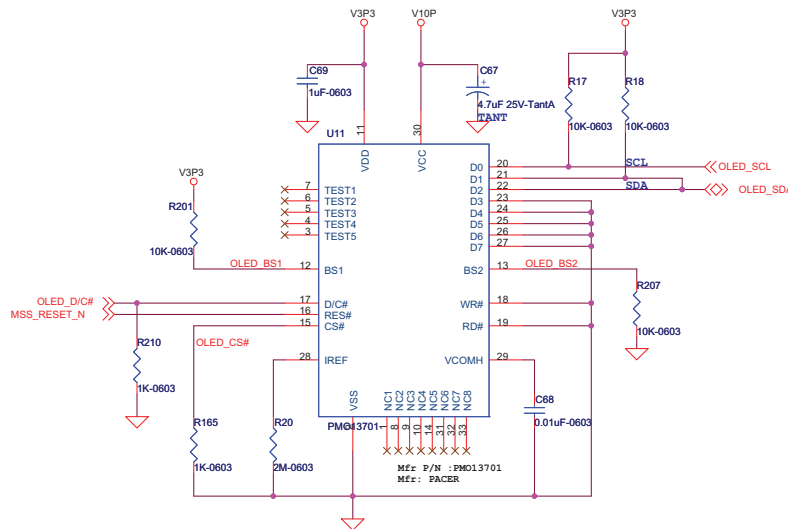
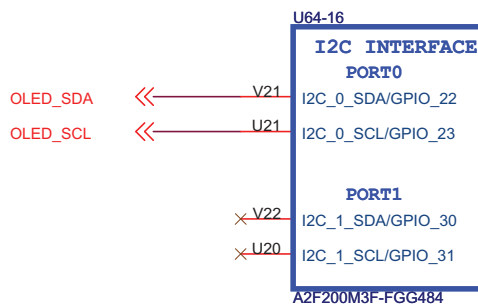


Figure 14 • SmartFusion MSS I2C0 Interface



5.8 SPI Flash

One 8 MByte SPI flash Atmel AT25DF641-MWH-T is also offered on the board (Figure 15, page 17). This is interfaced with the SmartFusion MSS SPI0 port (Figure 16, page 17). The WP# and HOLD# inputs are pulled high on the board.

Figure 15 • SPI Flash

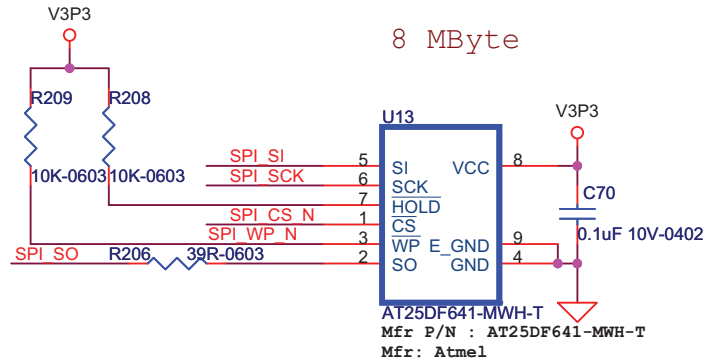
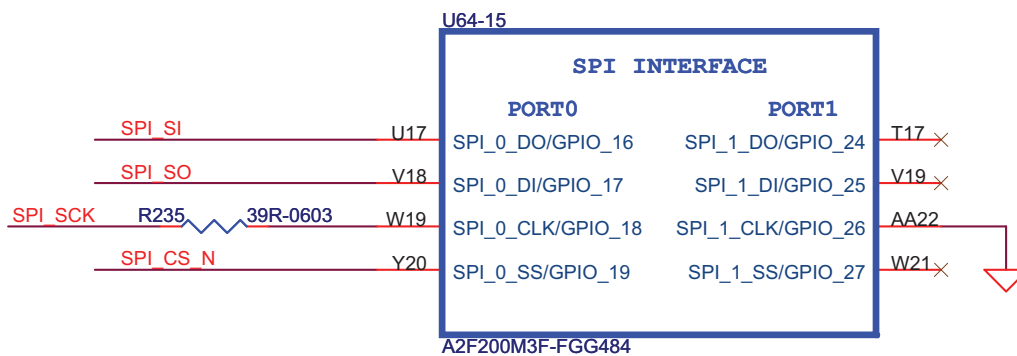


Figure 16 • SmartFusion MSS SPI0 Port



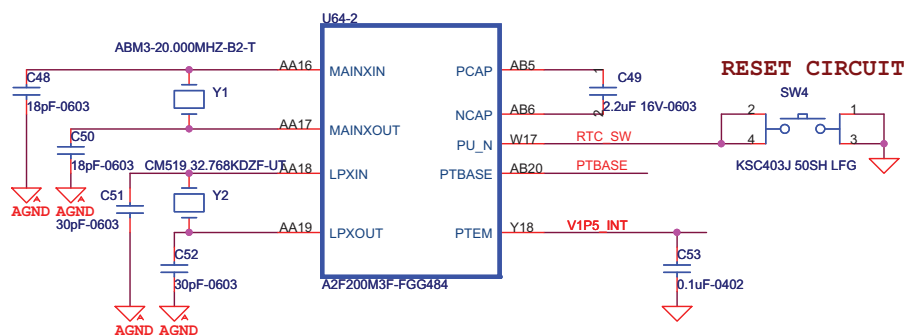
5.9 20 MHz Oscillator

A 20 MHz resonator of 20 PPM is placed across the MAINXIN and MAINXOUT pins of the SmartFusion cSoC with the appropriate 18 pF capacitors (Figure 16, page 17). This is used to generate a high precision clock for Ethernet MAC and is also used in real-time counter (RTC) based applications.

5.10 32.768 KHz (Low-Power) Oscillator

A 32.768 KHz resonator CM519 is placed across the LPXIN and LPXOUT pins of the SmartFusion cSoC with the appropriate 30 PF capacitors, as shown in the following figure. This low-power resonator is useful in real-time counter (RTC) based applications.

Figure 17 • 20 MHz and 32.768 MHz Oscillators



5.11 USB-to-UART Interface

USB-to-UART interface is Included on the evaluation board with ESD protection (Figure 18, page 19). This interface includes an integrated USB-to-UART bridge controller (U16) to provide a standard UART connection with the SmartFusion MSS UART0 port. One application of the USB-to-UART interface is to allow HyperTerminal on a PC to communicate with the SmartFusion cSoC. HyperTerminal is a serial communications application program that can be installed in the Windows operating system. A basic HyperTerminal program is usually distributed with Windows. With a USB driver properly installed, and the correct COM port and communication settings selected, use the HyperTerminal program to communicate with a design running on the SmartFusion cSoC.

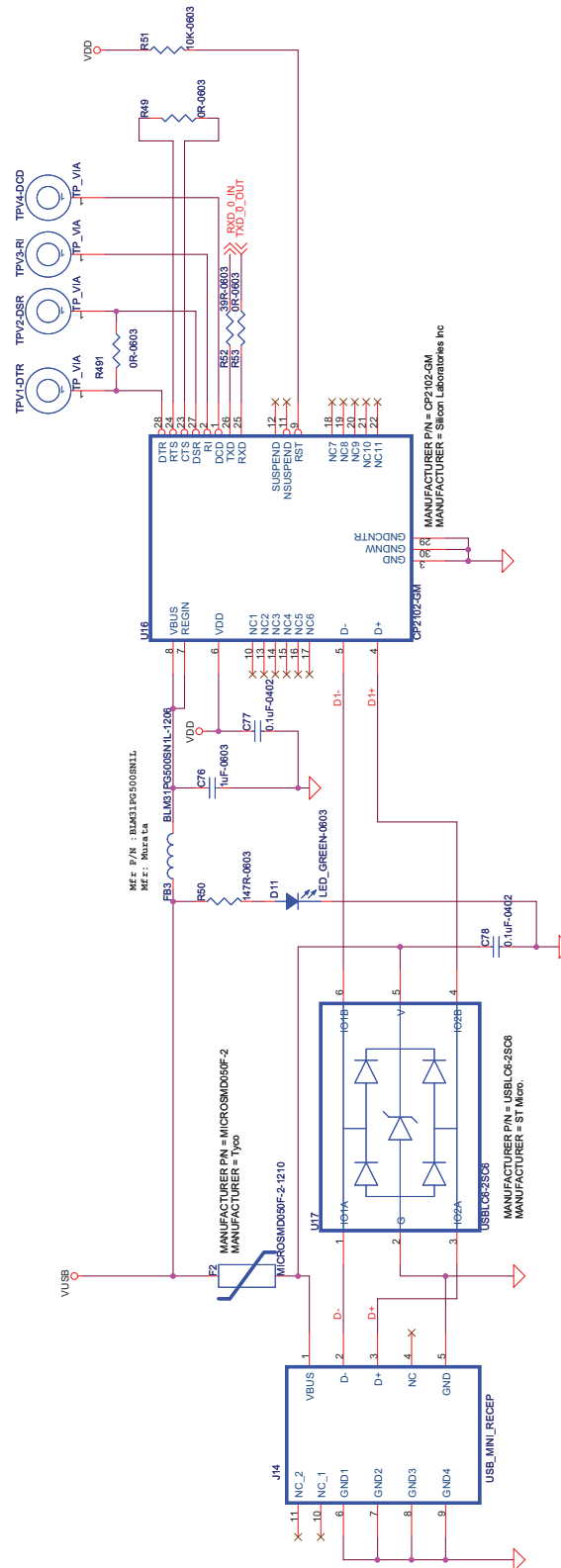
The following table lists the supported UART parameters for HyperTerminal applications.

Table 15 • UART HyperTerminal Settings

Supported HyperTerminal Parameters			
Baud Rates	Data Bits	Parity Types	STOP BIT
110	5, 6, 7, 8	NO/ODD/EVEN/MARK(1)/SPACE(0)	ONE/ONE-HALF/TWO
300			
1200			
2400			
4800			
9600			
19200			
38400			
57600			
115200			
230400			
460800			
921600			

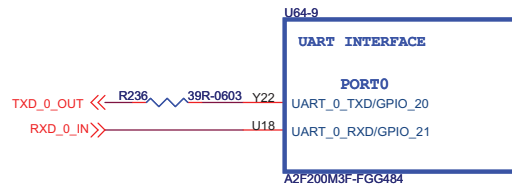
The following figure shows the USB-to-UART connections.

Figure 18 • USB to UART



The following figure shows the UART0 port.

Figure 19 • UART Port 0.



5.12 Ethernet Interface

One Ethernet interface, configured for RMI Full Duplex mode, and a low-power 10/100 Mbps single-port ethernet physical layer transceiver (U19) are provided on-board (Figure 21, page 21). The Ethernet physical layer features integrated sub-layers to support both 10BASE-T and 100BASE-TX Ethernet protocols. These sub-layers ensure compatibility and interoperability with many other standards-based Ethernet solutions.

The Ethernet RJ45 interface and physical layer interface with the SmartFusion MSS Ethernet media access controller (MAC), which supports RMI, serve many purposes. For example, these interfaces can be used to access the SmartFusion cSoC to monitor the ADC data over a network. The embedded system memory and control registers can be accessed and processed remotely to support system management.

5.12.1 Clocking Scheme for RMI CLK

The 10/100 MAC RMI interface requires a 50 MHz clock. The PHY device also requires a 50 MHz 20 PPM clock for proper operation. While there are several possible ways of providing the clock, the following clocking scheme are tested on the board.

- The 20 MHz oscillator feeds the CCC input. The CCC and GLC outputs are configured as 50 MHz
- The GLC feeds the MAC_CLK (pin T6) input of the 10/100 MAC peripheral of the SmartFusion MSS
- The same GLC is routed through the fabric and feeds the X1 input of the Ethernet PHY device on the board

Figure 20 • Ethernet Clocking Scheme

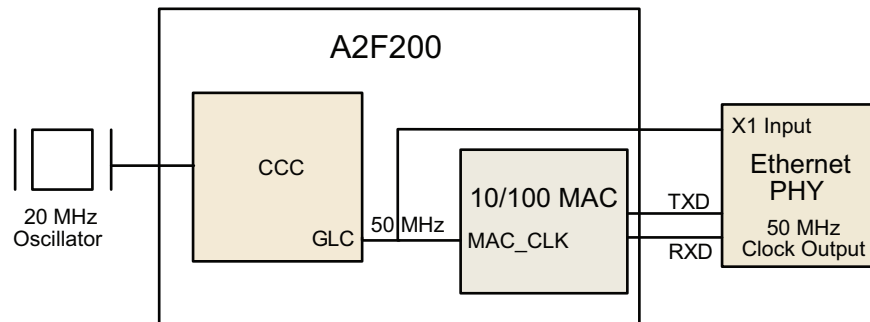
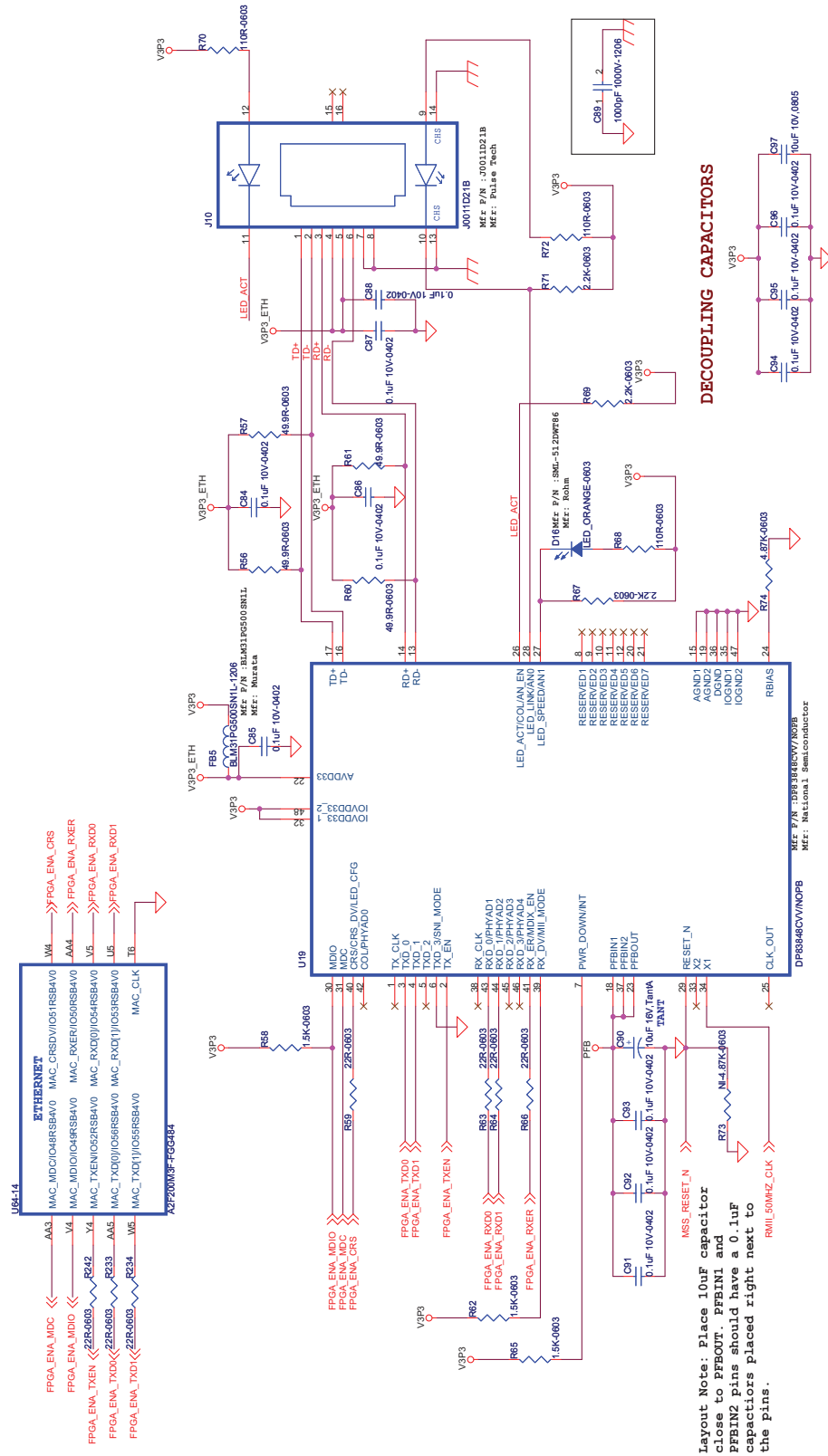


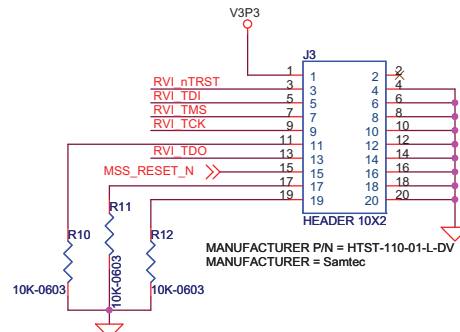
Figure 21 • Ethernet Interface



5.13 RealView Header

One 10x2 RealView header is provided on the board for debugging (Figure 22, page 22). This header allows plugging with the Keil U-LINK debugger or IAR J-Link debugger to easily debug or configure the hard ARM Cortex-M3 processor during board power-up.

Figure 22 • RealView Header



The jumper settings listed in the following table are needed for debug with Keil U-LINK or IAR J-Link.

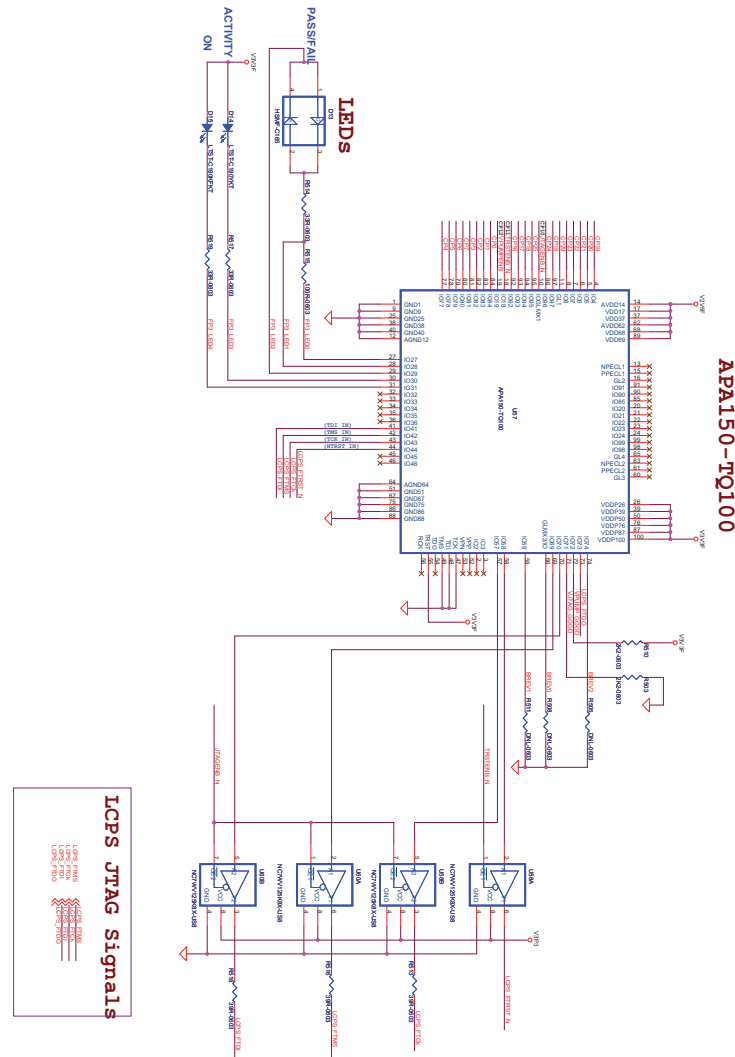
Table 16 • RVI Header Jumper Settings

To Debug with Keil U-link or IAR J-link			
Jumper	Pin	Pin	Connection Details
JP7	2	3	To select RealView JTG header
JP10	2	3	To select Cortex-M3 processor debug

5.14 Integrated Low-Cost Programmer

The board comes with a built-in programmer to program the SmartFusion cSoC device and debug software with SoftConsole.

Figure 23 • Integrated Low-Cost Programmer



The following table lists the jumper settings to debug with SoftConsole.

Table 17 • Jumper Settings to Debug with SoftConsole

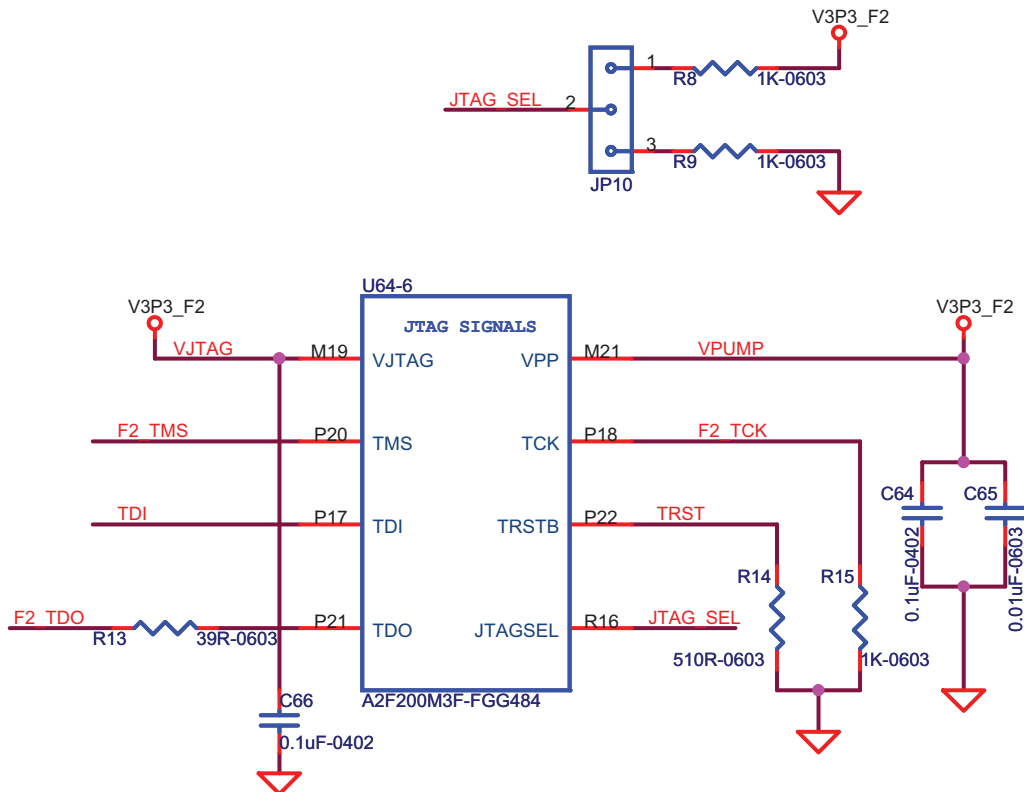
To Debug with SoftConsole			
Jumper	Pin	Pin	Connection Details
JP7	1	2	To select the integrated low-cost programmer (LCP)
JP10	2	3	To select the Cortex-M3 processor debug.

The following table lists the jumper for programming the A2F200.

Table 18 • Jumper Settings for A2F200 Programming

To Program with Built-In LCP			
Jumper	Pin	Pin	Connection Details
JP7	1	2	To select the integrated LCP
JP10	1	2	To select the SmartFusion cSoC device

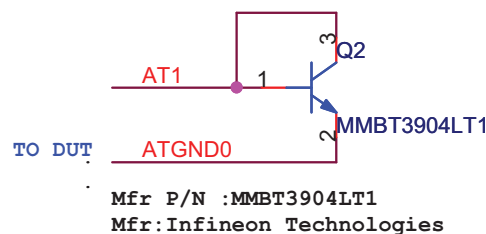
Figure 24 • A2F200 JTAG Connections



5.15 Temperature Diode

A temperature diode is provided on the board to measure ambient temperature, as shown in the following figure. This is used in battery charging and MPM applications. This diode is connected to the AT1 input of the SmartFusion cSoC.

Figure 25 • Temperature Diode



5.16 Mixed Signal Header

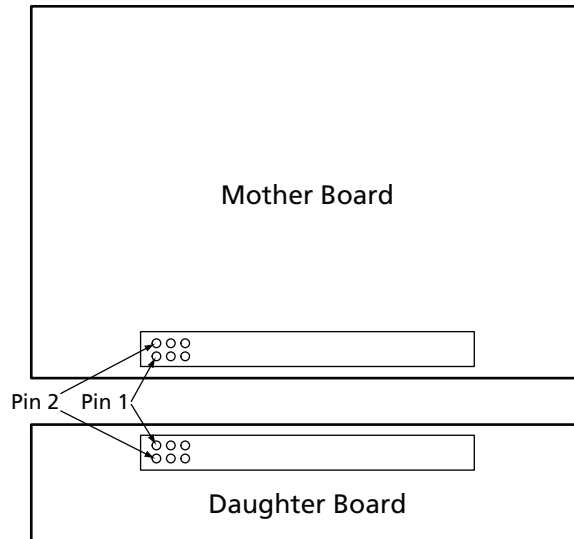
The mixed signal header can be obtained from Samtec, using the following part numbers:

- Mother board header 2X50 50 mil pitch: Samtec FTSH-150-04-L-D-RA (populated in the evaluation board)
- Daughter board header 2X50 50 mil pitch: Samtec CLP-150-02-L-DH

The detailed instructions given below must be followed to ensure the correct orientation and insertion into the mother board.

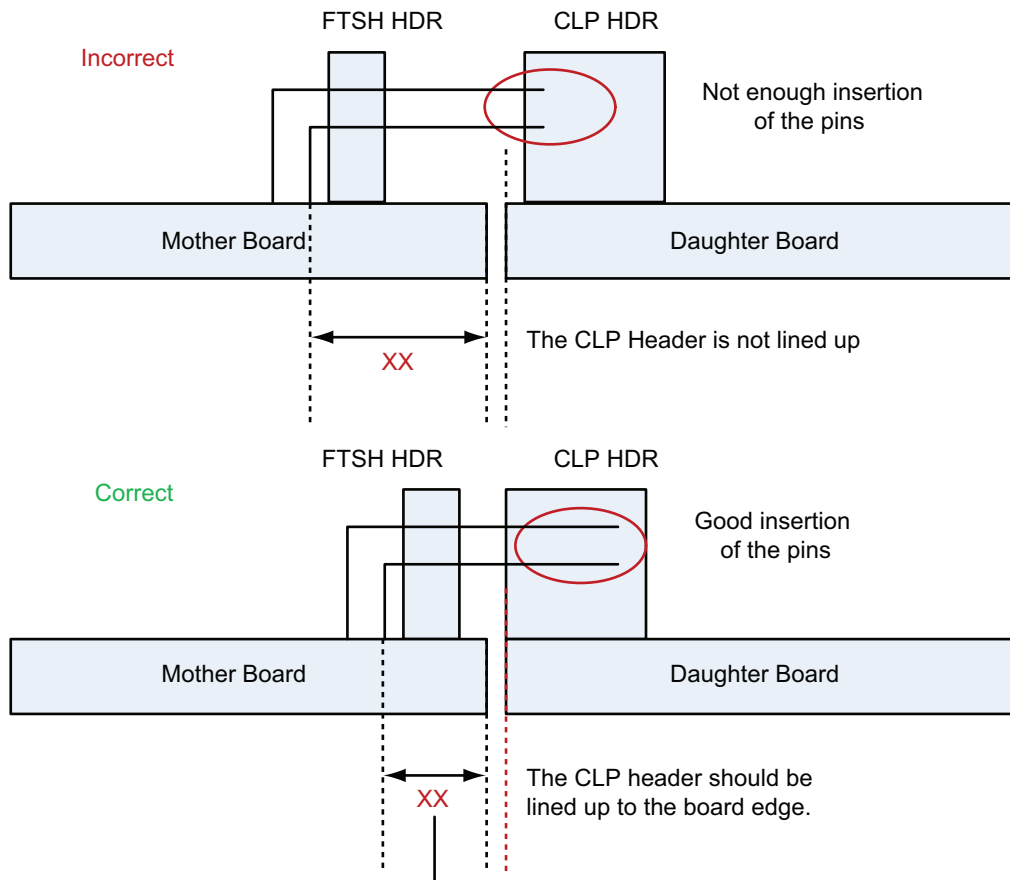
The following figure (top view) shows the orientation of the mixed signal headers on the mother board and daughter board.

Figure 26 • Top View of Mixed Signal Headers Correct Orientation



Ensure that the header is placed such that a full insertion is possible between the two headers.

Figure 27 • Correct Insertion of Daughter Board



Note: XX is the critical length. Ensure that the connector is placed close enough, so there is a good connection with the mating connector. This is applicable when designing the daughter board or the mother board.

When designing a daughter board to plug into an A2F-EVAL-KIT-2:

- Ensure the CLP header edge is lined up against the edge of the board.

- This will provide maximum insertion into the SmartFusion evaluation board.
- When designing a mother board for an existing daughter board (MPM DB, for example):

- Ensure that the length, denoted by XX, is kept less than 150 mils.
- Use the SmartFusion Evaluation Kit PCB files
(www.microsemi.com/soc/download/rsc/?f=A2F_EVAL_KIT_BF).

5.17 Pinout Definition

The following table lists the pinout definition for the mixed signal header.

Table 19 • Pinout Definition

J21-Pin	Net Name	Pin Number	Description	J21-Pin	Net Name	Pin Number	Description
1	5V	Power	Power	2	5V	Power	Power
3	5V	Power	Power	4	5V	Power	Power
5	DGND	DGND	Digital ground	6	DGND	DGND	Digital ground
7	MSS_GP_IO_0	V1	MSS I/Os ¹	8	MSS_GP_IO_1	R3	MSS I/Os ¹
9	MSS_GP_IO_2	W1	MSS I/Os ¹	10	MSS_GP_IO_3	Y1	MSS I/Os ¹
11	MSS_GP_IO_4	AA1	MSS I/Os ¹	12	DGND	DGND	Digital ground
13	MSS_GP_IO_5	U2	MSS I/Os ¹	14	MSS_GP_IO_6	V2	MSS I/Os ¹
15	DGND	DGND	Digital ground	16	MSS_GP_IO_7	W2	MSS I/Os ¹
17	MSS_GP_IO_8	T3	MSS I/Os ¹	18	MSS_GP_IO_9	V3	MSS I/Os ¹
19	MSS_GP_IO_10	U3	MSS I/Os ¹	20	DGND	DGND	Digital ground
21	MSS_GP_IO_11	T4	MSS I/Os ¹	22	MSS_GP_IO_12	AA2	MSS I/Os ¹
23	DGND	DGND	Digital ground	24	MSS_GP_IO_13	AB2	MSS I/Os ¹
25	MSS_GP_IO_14	AB3	MSS I/Os ¹	26	MSS_GP_IO_15	Y3	MSS I/Os ¹
27	F2-200-IO_0	E3	FPGA I/Os ¹	28	DGND	DGND	Digital ground
29	F2-200-IO_1	F3	FPGA I/Os ¹	30	F2-200-IO_2	G4	FPGA I/Os ¹
31	DGND	DGND	Digital ground	32	F2-200-IO_3	H5	FPGA I/Os ¹
33	F2-200-IO_4	H6	FPGA I/Os ¹	34	F2-200-IO_5	J6	FPGA I/Os ¹
35	F2-200-IO_6	B22	FPGA I/Os ¹	36	DGND		Digital ground
37	F2-200-IO_7	C22	FPGA I/Os ¹	38	F2-200-IO_8	F1	FPGA I/Os ¹
39	PWM0	E22	Has External RC ¹	40	PWM1	F22	Has External RC ¹
41	DGND	DGND	Digital ground	42	DGND	DGND	Digital ground
43	AGND	AGND	Analog ground	44	AGND	AGND	Analog ground
45	DACOUT0	V7	SDD0 ²	46	DACOUT1	Y17	SDD1 ²
47	AGND	AGND	Analog ground	48	AGND	AGND	Analog ground
49	AC2	AB13	CM2 ²	50	AT2	AB12	TM2 ²
51	AGND	AGND	Analog ground	52	ATGND1		GNDTM1 ²
53	AC3	AA11	CM3 ²	54	AT3	Y12	TM3 ²
55	AGND	AGND	Analog ground	56	AGND		Analog ground
57	NC	NC	NC	58	NC	NC	NC
59	AGND	AGND	Analog ground	60	NC	NC	NC

Table 19 • Pinout Definition (continued)

J21-Pin	Net Name	Pin Number	Description	J21-Pin	Net Name	Pin Number	Description
61	AV1_1	W9	ABPS2 ²	62	AV2_1	AB7	ABPS3 ²
63	AGND	AGND	Analog ground	64	AGND	AGND	Analog ground
65	AV1_3	W12	ABPS6 ²	66	AV2_3	Y11	ABPS7 ²
67	AGND	AGND	Analog ground	68	AGND	AGND	Analog ground
69	NC	NC	NC	70	NC	NC	NC
71	AGND	AGND	Analog ground	72	AGND	AGND	Analog ground
73	ADC2	V9	ADC2	74	ADC3	AB8	ADC3
75	AGND	AGND	Analog ground	76	AGND	AGND	Analog ground
77	ADC4	U12	ADC4	78	ADC5	V12	ADC5
79	AGND	AGND	Analog ground	80	AGND	AGND	Analog ground
81	ADC6	V11	ADC6 ²	82	ADC7	T12	ADC7 ²
83	AGND	AGND	Analog ground	84	AGND	AGND	Analog ground
85	NC	NC	NC	86	NC	NC	NC
87	AGND	AGND	Analog ground	88	AGND	AGND	Analog ground
89	NC	NC	NC	90	NC	NC	NC
91	AC1	U9	CM1 ²	92	AGND	AGND	Analog ground
93	AGND	AGND	Analog ground	94	AGND	AGND	Analog ground
95	DGND	DGND	Digital ground	96	DGND	DGND	Digital ground
97	3.3V	Power	Power	98	3.3V	Power	Power
99	3.3V	Power	Power	100	3.3V	Power	Power

1. Digital signal
2. Analog signal

6 Pin List

The following table lists the pins applicable to the SmartFusion A2F200M3F-FGG484 device.

Table 20 • Pin List39

A2F200 Pin Number	A2F200 Pin Name	Board Signal Name
A1	GND1	GND
A2	NC2	NC
A3	NC5	NC
A4	GND7	GND
A5	EMC_CS0_N/GAB0/IO01NDB0V0	NC
A6	EMC_CS1_N/GAB1/IO01PDB0V0	NC
A7	GND8	GND
A8	EMC_AB[0]/IO04NDB0V0	NC
A9	EMC_AB[1]/IO04PDB0V0	NC
A10	GND2	GND
A11	NC1	NC
A12	EMC_AB[7]/IO07PDB0V0	NC
A13	GND3	GND
A14	EMC_AB[12]/IO10NDB0V0	NC
A15	EMC_AB[13]/IO10PDB0V0	NC
A16	GND4	GND
A19	GND5	GND
A20	NC3	NC
A21	NC4	NC
A22	GND6	GND
AA1	GPIO_4/IO43RSB4V0	MSS_GP_IO_4
AA2	GPIO_12/IO37RSB4V0	MSS_GP_IO_12
AA3	MAC_MDC/IO48RSB4V0	FPGA_ENA_MDC
AA4	MAC_RXER/IO50RSB4V0	FPGA_ENA_RXER
AA5	MAC_TXD[0]/IO56RSB4V0	FPGA_ENA_TXD0
AA6	ABPS0	V10P
AA7	TM1	AT1
AA8	ADC1	NC
AA9	GND15ADC1	AGND
AA10	GND33ADC10	AGND
AA11	CM3	AC3

Table 20 • Pin List39 (continued)

AA12	GNDTM1	ATGND1
AA13	ADC10	NC
AA14	ADC9	NC
AA16	MAINXIN	AGND (Y1,C48)
AA17	MAINXOUT	AGND (Y1,C50)
AA18	LPXIN	AGND (Y2,C51)
AA19	LPXOUT	AGND (Y2,C52)
AA20	NC6	NC
AA21	NC7	NC
AA22	SPI_1_CLK/GPIO_26	GND
AB1	GND9	GND
AB2	GPIO_13/IO36RSB4V0	MSS_GP_IO_13
AB3	GPIO_14/IO35RSB4V0	MSS_GP_IO_14
AB4	GND11	GND
AB5	PCAP	C49
AB6	NCAP	C49
AB7	ABPS3	AV2_1
AB8	ADC3	ADC3
AB9	GND15ADC0	AGND
AB10	VCC33ADC1	V3P3A
AB11	VAREF1	VAREF_OUT
AB12	TM2	AT2
AB13	CM2	AC2
AB14	ABPS4	V3P3
AB15	GNDQA1	AGND
AB16	GNDMAINXTAL	AGND
AB17	GNDLPXTAL	AGND
AB18	VCCLPXTAL	V3P3A
AB19	VDDBAT	GND
AB20	PTBASE	PTBASE
AB21	NC8	NC
AB22	GND10	GND
B1	EMC_DB[15]/GAA2/IO71PDB5V0	NC
B2	GND12	GND
B5	VCCFPGAIOB0_3	V3P3_F2
B6	EMC_RW_N/GAA1/IO00PDB0V0	NC
B8	VCCFPGAIOB0_4	V3P3_F2

Table 20 • Pin List39 (continued)

B9	EMC_BYTEN[0]/GAC0/IO02NDB0V0	NC
B10	EMC_AB[2]/IO05NDB0V0	NC
B11	EMC_AB[3]/IO05PDB0V0	NC
B12	EMC_AB[6]/IO07NDB0V0	NC
B13	EMC_AB[14]/IO11NDB0V0	NC
B14	EMC_AB[15]/IO11PDB0V0	NC
B15	VCCFPGAIOB0_1	V3P3_F2
B16	EMC_AB[18]/IO13NDB0V0	NC
B17	EMC_AB[19]/IO13PDB0V0	NC
B18	VCCFPGAIOB0_2	V3P3_F2
B19	GBB0/IO18NDB0V0	LED1_N
B20	GBB1/IO18PDB0V0	LED2_N
B21	GND13	GND
B22	GBA2/IO20PDB1V0	F2-200-IO_6
C1	EMC_DB[14]/GAB2/IO71NDB5V0	NC
C2	NC9	NC
C3	NC11	NC
C6	EMC_CLK/GAA0/IO00NDB0V0	NC
C9	EMC_BYTEN[1]/GAC1/IO02PDB0V0	NC
C10	EMC_OEN1_N/IO03PDB0V0	NC
C11	GND14	GND
C12	VCCFPGAIOB0_5	V3P3_F2
C13	EMC_AB[8]/IO08NDB0V0	NC
C14	EMC_AB[16]/IO12NDB0V0	NC
C15	EMC_AB[17]/IO12PDB0V0	NC
C16	EMC_AB[24]/IO16NDB0V0	NC
C17	EMC_AB[22]/IO15NDB0V0	NC
C18	EMC_AB[23]/IO15PDB0V0	NC
C19	GBA0/IO19NPB0V0	LED3_N
C20	NC10	NC
C21	GBC2/IO21PDB1V0	LED6_N
C22	GBB2/IO20NDB1V0	F2-200-IO_7
D1	GND15	GND
D2	EMC_DB[12]/IO70NDB5V0	NC
D3	EMC_DB[13]/GAC2/IO70PDB5V0	NC
D4	NC14	NC
D5	NC15	NC

Table 20 • Pin List39 (continued)

D6	GND19	GND
D9	GND20	GND
D10	EMC_OEN0_N/IO03NDB0V0	NC
D11	EMC_AB[10]/IO09NDB0V0	NC
D12	EMC_AB[11]/IO09PDB0V0	NC
D13	EMC_AB[9]/IO08PDB0V0	NC
D14	GND16	GND
D15	GBC1/IO17PPB0V0	OLED_D/C#
D16	EMC_AB[25]/IO16PDB0V0	NC
D17	GND17	GND
D18	GBA1/IO19PPB0V0	NC
D19	NC12	NC
D20	NC13	NC
D21	IO21NDB1V0	LED7_N
D22	GND18	GND
E1	GFC2/IO67PPB5V0	NC
E2	VCCFPGAIOB5_1	V3P3_F2
E3	GFA2/IO68PDB5V0	F2-200-IO_0
E4	GND22	GND
E5	NC18	NC
E6	GNDQ1	GND
E7	VCCFPGAIOB0_12	V3P3_F2
E9	NC19	NC
E10	VCCFPGAIOB0_6	V3P3_F2
E11	EMC_AB[4]/IO06NDB0V0	NC
E12	EMC_AB[5]/IO06PDB0V0	NC
E13	VCCFPGAIOB0_13	V3P3_F2
E14	GBC0/IO17NPB0V0	NC
E15	NC16	NC
E16	VCCFPGAIOB0_7	V3P3_F2
E17	VCOMPLA1	NC
E19	GND21	GND
E20	NC17	NC
E21	VCCFPGAIOB1_1	V3P3_F2
E22	IO22NDB1V0	F2-200-PWM0
F1	GFB1/IO65PPB5V0	F2-200-IO_8
F2	IO67NPB5V0	RMII_50MHZ_CLK

Table 20 • Pin List39 (continued)

F3	GFB2/IO68NDB5V0	F2-200-IO_1
F4	EMC_DB[10]/IO69NPB5V0	NC
F5	VCCFPGAIOB5_2	V3P3_F2
F6	VCCPLLA	V1P5_DUT (VCCPLA)
F7	VCOMPLA	GND
F8	NC23	NC
F9	NC24	NC
F10	NC20	NC
F11	NC21	NC
F12	NC22	NC
F13	EMC_AB[20]/IO14NDB0V0	NC
F14	EMC_AB[21]/IO14PDB0V0	NC
F15	GNDQ2	GND
F16	VCCPLA	NC
F18	VCCFPGAIOB1_2	V3P3_F2
F19	IO23NDB1V0	NC
F22	IO22PDB1V0	F2-200-PWM1
G1	GND23	GND
G2	GFB0/IO65NPB5V0	NC
G3	EMC_DB[9]/GEC1/IO63PDB5V0	NC
G4	GFC1/IO66PPB5V0	F2-200-IO_2
G5	EMC_DB[11]/IO69PPB5V0	NC
G6	GNDQ4	GND
G7	NC25	NC
G8	GND28	GND
G9	VCCFPGAIOB0_11	V3P3_F2
G10	GND24	GND
G11	VCCFPGAIOB0_8	V3P3_F2
G12	GND25	GND
G13	VCCFPGAIOB0_9	V3P3_F2
G14	GND26	GND
G15	VCCFPGAIOB0_10	V3P3_F2
G16	GNDQ3	GND
G19	GCA2/IO23PDB1V0	SWITCH1
G20	IO24NDB1V0	SWITCH2
G21	GCB2/IO24PDB1V0	LED8_N
G22	GND27	GND

Table 20 • Pin List39 (continued)

H1	EMC_DB[7]/GEB1/IO62PDB5V0	NC
H2	VCCFPGAIOB5_3	V3P3_F2
H3	EMC_DB[8]/GEC0/IO63NDB5V0	NC
H4	GND33	GND
H5	GFC0/IO66NPB5V0	F2-200-IO_3
H6	GFA1/IO64PDB5V0	F2-200-IO_4
H7	GND34	GND
H8	VCC4	V1P5_DUT
H9	GND35	GND
H10	VCC1	V1P5_DUT
H11	GND29	GND
H12	VCC2	V1P5_DUT
H13	GND30	GND
H14	VCC3	V1P5_DUT
H15	GND31	GND
H16	VCCFPGAIOB1_3	V3P3_F2
H17	IO25NDB1V0	LED4_N
H18	GCC2/IO25PDB1V0	NC
H19	GND32	GND
H20	GCC0/IO26NPB1V0	LED5_N
H21	VCCFPGAIOB1_4	V3P3_F2
H22	GCB0/IO27NDB1V0	NC
J1	EMC_DB[6]/GEB0/IO62NDB5V0	NC
J2	EMC_DB[5]/GEA1/IO61PDB5V0	NC
J3	EMC_DB[4]/GEA0/IO61NDB5V0	NC
J4	EMC_DB[3]/GEC2/IO60PPB5V0	NC
J5	VCCFPGAIOB5_4	V3P3_F2
J6	GFA0/IO64NDB5V0	F2-200-IO_5
J7	VCCFPGAIOB5_5	V3P3_F2
J8	GND40	GND
J9	VCC8	V1P5_DUT
J10	GND36	GND
J11	VCC5	V1P5_DUT
J12	GND37	GND
J13	VCC6	V1P5_DUT
J14	GND38	GND
J15	VCC7	V1P5_DUT

Table 20 • Pin List39 (continued)

J16	GND39	GND
J18	VCCFPGAIOB1_5	V3P3_F2
J19	GCA0/IO28NDB1V0	J22.1
J20	GCA1/IO28PDB1V0	J22.2
J21	GCC1/IO26PPB1V0	J22.3
J22	GCB1/IO27PDB1V0	J22.4
K1	GND41	GND
K2	EMC_DB[0]/GEA2/IO59NDB5V0	NC
K3	EMC_DB[1]/GEB2/IO59PDB5V0	NC
K5	EMC_DB[2]/IO60NPB5V0	NC
K7	GND46	GND
K8	VCC12	V1P5_DUT
K9	GND47	GND
K10	VCC9	V1P5_DUT
K11	GND42	GND
K12	VCC10	V1P5_DUT
K13	GND43	GND
K14	VCC11	V1P5_DUT
K15	GND44	GND
K16	VCCFPGAIOB1_6	V3P3_F2
K18	GDA1/IO31PDB1V0	NC
K19	GDA0/IO31NDB1V0	J22.5
K20	GDC1/IO29PDB1V0	NC
K21	GDC0/IO29NDB1V0	NC
K22	GND45	GND
L4	GND52	GND
L7	VCCFPGAIOB5_10	V3P3_F2
L8	GND53	GND
L9	VCC16	V1P5_DUT
L10	GND48	GND
L11	VCC13	V1P5_DUT
L12	GND49	GND
L13	VCC14	V1P5_DUT
L14	GND50	GND
L15	VCC15	V1P5_DUT
L16	GND51	GND
L17	GNDQ5	GND

Table 20 • Pin List39 (continued)

L18	GDA2/IO33NDB1V0	NC
L19	VCCFPGAIOB1_7	V3P3_F2
L20	GDB1/IO30PDB1V0	NC
L21	GDB0/IO30NDB1V0	NC
L22	GDC2/IO32PDB1V0	NC
M3	VCCFPGAIOB5_6	V3P3_F2
M5	GNDQ6	GND
M7	GND58	GND
M8	VCC20	V1P5_DUT
M9	GND59	GND
M10	VCC17	V1P5_DUT
M11	GND54	GND
M12	VCC18	V1P5_DUT
M13	GND55	GND
M14	VCC19	V1P5_DUT
M15	GND56	GND
M16	VCCFPGAIOB1_8	V3P3_F2
M17	NC26	NC
M18	GDB2/IO33PDB1V0	NC
M19	VJTAG	VJTAG
M20	GND57	GND
M21	VPP	VPUMP
M22	IO32NDB1V0	NC
N1	GND60	GND
N5	VCCFPGAIOB5_7	V3P3_F2
N7	VCCFPGAIOB5_8	V3P3_F2
N8	GND65	GND
N9	VCC24	V1P5_DUT
N10	GND61	GND
N11	VCC21	V1P5_DUT
N12	GND62	GND
N13	VCC22	V1P5_DUT
N14	GND63	GND
N15	VCC23	V1P5_DUT
N17	NC27	NC
N18	VCCFPGAIOB1_9	V3P3_F2
N20	GNDENVM	GND

Table 20 • Pin List39 (continued)

N21	NC28	NC
N22	GND64	GND
P3	GNDRCOSC	GND
P4	GND70	GND
P5	NC29	NC
P6	NC30	NC
P7	GND71	GND
P8	VCC28	V1P5_DUT
P9	GND72	GND
P10	VCC25	V1P5_DUT
P11	GND66	GND
P12	VCC26	V1P5_DUT
P13	GND67	GND
P14	VCC27	V1P5_DUT
P15	GND68	GND
P16	VCCFPGAIOB1_10	V3P3_F2
P17	TDI	TDI
P18	TCK	F2_TCK
P19	GND69	GND
P20	TMS	F2_TMS
P21	TDO	F2_TDO
P22	TRSTB	TRST
R1	MSS_RESET_N	MSS_RESET_N
R2	VCCFPGAIOB5_9	V3P3_F2
R3	GPIO_1/IO46RSB4V0	MSS_GP_IO_1
R4	NC35	NC
R5	NC36	NC
R6	NC37	NC
R7	NC38	NC
R8	GND76	GND
R9	VCC32	V1P5_DUT
R10	GND73	GND
R11	VCC29	V1P5_DUT
R12	GND74	GND
R13	VCC30	V1P5_DUT
R14	GND75	GND
R15	VCC31	V1P5_DUT

Table 20 • Pin List39 (continued)

R16	JTAGSEL	JTAG_SEL
R17	NC31	NC
R18	NC32	NC
R19	NC33	NC
R21	VCCFPGAIOB1_11	V3P3_F2
R22	NC34	NC
T1	GND77	GND
T3	GPIO_8/IO39RSB4V0	MSS_GP_IO_8
T4	GPIO_11/IO57RSB4V0	MSS_GP_IO_11
T5	GND80	GND
T6	MAC_CLK	GND
T8	VCC33SDD0	V3P3A
T9	VCC15A	V1P5A
T10	GNDAQ0	AGND
T11	GND33ADC01	AGND
T12	ADC7	ADC7
T13	AT4	NC
T14	VAREF2	NC
T15	VAREFOUT	VAREF_OUT
T17	SPI_1_DO/GPIO_24	NC
T18	GND78	GND
T22	GND79	GND
U1	GND81	GND
U2	GPIO_5/IO42RSB4V0	MSS_GP_IO_5
U3	GPIO_10/IO58RSB4V0	MSS_GP_IO_10
U5	MAC_RXD[1]/IO53RSB4V0	FPGA_ENA_RXD1
U6	NC39	NC
U7	VCC33AP	V3P3A
U8	VCC33N	AGND
U9	CM1	AC1
U10	VAREF0	VAREF_OUT
U11	GND33ADC11	AGND
U12	ADC4	ADC4
U13	ATGND_02	NC
U14	ADC11	NC
U15	GNDVAREF	AGND
U16	VCC33SDD1	V3P3A

Table 20 • Pin List39 (continued)

U17	SPI_0_DO/GPIO_16	SPI_SI
U18	UART_0_RXD/GPIO_21	RXD_0_IN
U20	I2C_1_SCL/GPIO_31	NC
U21	I2C_0_SCL/GPIO_23	OLED_SCL
U22	GND82	GND
V1	GPIO_0/IO47RSB4V0	MSS_GP_IO_0
V2	GPIO_6/IO41RSB4V0	MSS_GP_IO_6
V3	GPIO_9/IO38RSB4V0/ADC3	MSS_GP_IO_9
V4	MAC_MDIO/IO49RSB4V0	FPGA_ENA_MDIO
V5	MAC_RXD[0]/IO54RSB4V0	FPGA_ENA_RXD0
V6	GND84	GND
V7	SDD0	DACOUT0
V8	ABPS1	V1P5
V9	ADC2	ADC2
V10	VCC33ADC0	V3P3A
V11	ADC6	ADC6
V12	ADC5	ADC5
V13	ABPS5	AV2_2
V14	ADC8	NC
V16	NC40	NC
V17	GND83	GND
V18	SPI_0_DI/GPIO_17	SPI_SO
V19	SPI_1_DI/GPIO_25	NC
V20	UART_1_TXD/GPIO_28	NC
V21	I2C_0_SDA/GPIO_22	OLED_SDA
V22	I2C_1_SDA/GPIO_30	NC
W1	GPIO_2/IO45RSB4V0	MSS_GP_IO_2
W2	GPIO_7/IO40RSB4V0	MSS_GP_IO_7
W3	GND86	GND
W4	MAC_CRSDV/IO51RSB4V0	FPGA_ENA_CRS
W5	MAC_TXD[1]/IO55RSB4V0	FPGA_ENA_TXD1
W6	NC41	NC
W7	GND A0	AGND
W8	TM0	AT0
W9	ABPS2	AV1_1
W10	GND33ADC02	AGND
W11	VCC15ADC1	V1P5A

Table 20 • Pin List39 (continued)

W12	ABPS6	AV1_3
W13	AC4	NC
W14	AV2_4	NC
W16	GNDA1	AGND
W17	PU_N	RTC_SW
W18	GNDSDD1	AGND
W19	SPI_0_CLK/GPIO_18	SPI_SCK
W20	GND85	GND
W21	SPI_1_SS/GPIO_27	NC
W22	UART_1_RXD/GPIO_29	NC
Y1	GPIO_3/IO44RSB4V0	MSS_GP_IO_3
Y3	GPIO_15/IO34RSB4V0	MSS_GP_IO_15
Y4	MAC_TXEN/IO52RSB4V0	FPGA_ENA_TXEN
Y7	CM0	AC0
Y8	GNDTM0	ATGND0
Y9	ADC0	ADC0
Y10	VCC15ADC0	V1P5A
Y11	ABPS7	AV2_3
Y12	TM3	AT3
Y13	AV1_4	NC
Y16	VCCMAINXTAL	V3P3A
Y17	SDD1	DACOUT1
Y18	PTEM	V1P5_INT
Y19	VCC33A	V3P3A
Y20	SPI_0_SS/GPIO_19	SPI_CS_N
Y22	UART_0_TXD/GPIO_20	TXD_0_OUT

7 Board Stack-up

The SmartFusion Evaluation Kit board is built on a 6-layer printed circuit board (PCB). The silkscreen is shown in [Figure 29](#), page 41. The full PCB design layout is provided on at:

<https://www.microsemi.com/products/fpga-soc/design-resources/dev-kits/smartfusion/smartfusion-evaluation-kit#documents>.

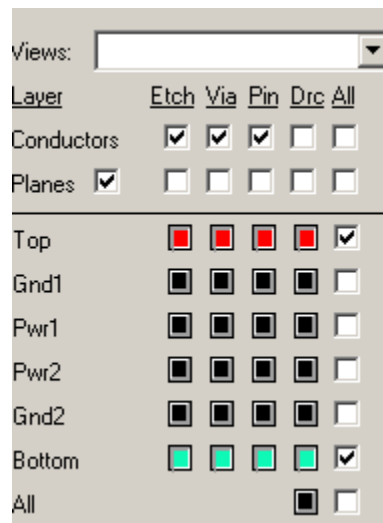
To view the PCB design layout files, use the Allegro Free Physical Viewer, which can be downloaded at: www.cadence.com/products/pcb/Pages/Downloads.aspx.

The layers are arranged in the following order:

- Layer1: Top Signal
- Layer2: GND1
- Layer3: PWR1
- Layer4: PWR2
- Layer5: GND2
- Layer6: Bottom Signal

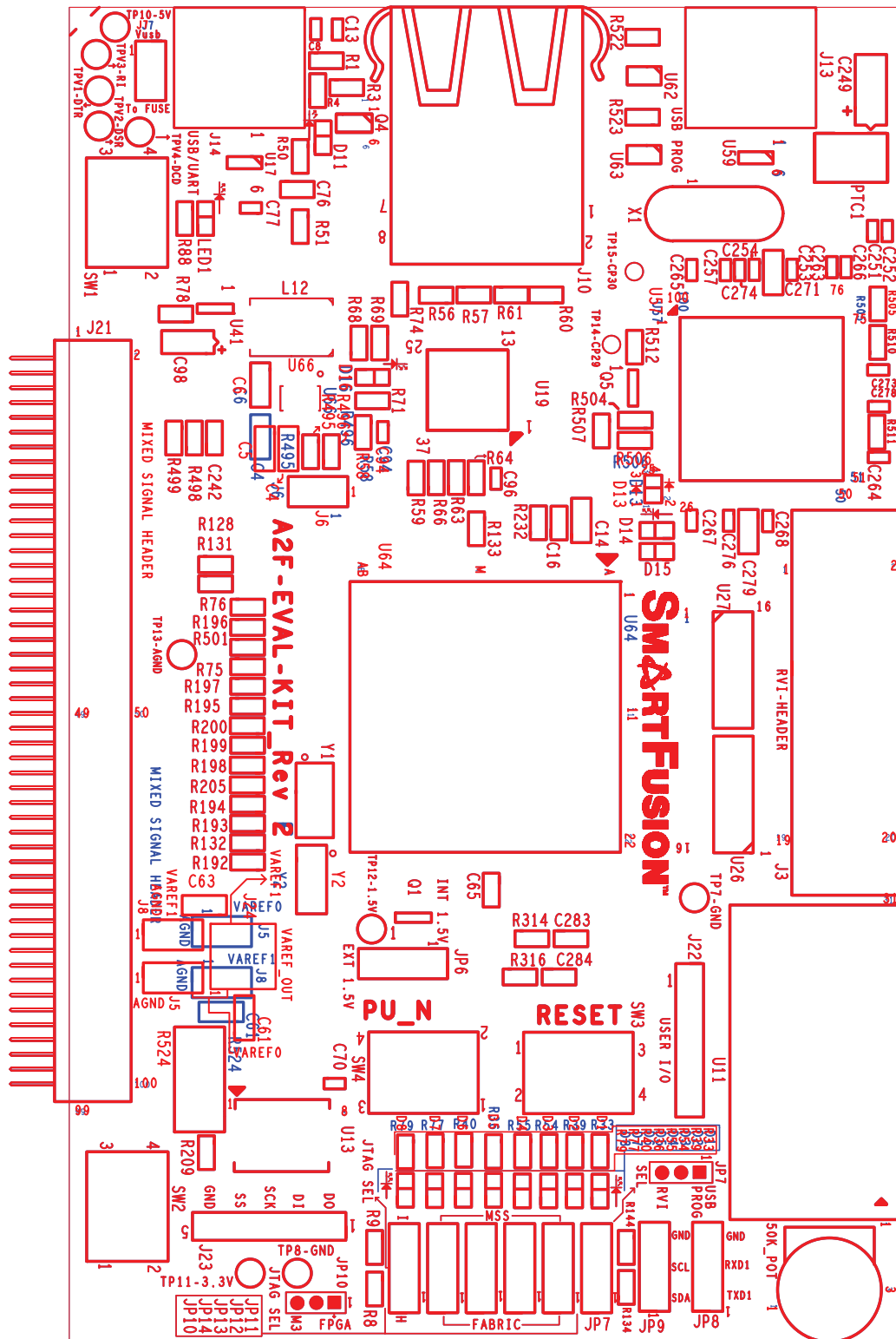
The following figure shows the stack-up.

Figure 28 • A2F-EVAL-KIT-2 PCB Layer Stack-Up



The following figure shows the silkscreen top view.

Figure 29 • A2F-EVAL-KIT-2 Top Silk-Screen



8 Demo Design

This chapter describes how to run the Webserver demo design on the SmartFusion Evaluation Kit. This kit comes with a preloaded Webserver demo design. If the board is not preprogrammed, the programming file and the source files for the demo are provided at:

<https://www.microsemi.com/products/fpga-soc/design-resources/dev-kits/smartfusion/smartfusion-evaluation-kit#documents>.

The programming file for the demo is provided as a standalone zip file under the SmartFusion Evaluation Kit Quickstart Card. The source files are provided with the *SmartFusion Webserver Demo Using uIP* and *FreeRTOS User Guide*.

8.1 Jumper Settings for Demo Design

Prior to powering up the A2F-EVAL-KIT-2 for the first time, make sure the jumpers are set, as shown in the following table.

Table 21 • Manufacturing Test Jumper Settings

Jumper	Location	Purpose	Setting
J6	2 pins next to the Ethernet jack	3.3 V regulator	1-2
JP6	Next to the PU_N switch	VRPSM volatage option	2-3
JP7	Right side of board	Input selecting option	1-2
JP10	Right side of board	JTAG programming option	1-2
JP11	Right side of board	Access to LED5	1-2
JP12	Right side of board	Access to LED6	1-2
JP13	Right side of board	Access to LED7	1-2
JP14	Right side of board	Access to LED8	1-2
J24	Bottom right side of board	VAREFOUT/VAREF Header	1-2, 3-4

8.2 Running the Demo Design

Connect one end of the USB mini B cable to the USB connection, J14 (labeled as USB2) on the A2F-EVAL-KIT-2 board. Connect the other end of the USB cable to the PC you will use for testing. The board receives power from USB. LED1 lights up, indicating the board is powered up. The D11 LED also lights up, indicating UART link establishment. Connect an ethernet cable from the local area network to J10, the A2F-EVAL-KIT-2 ethernet jack.

This demo provides you the flexibility to select demo options using switches or serial terminal emulation programs like HyperTerminal or PuTTY. With a USB driver properly installed, and correct COM port and communication settings selected, you can use the serial terminal emulation program to communicate with a design running on a SmartFusion cSoC.

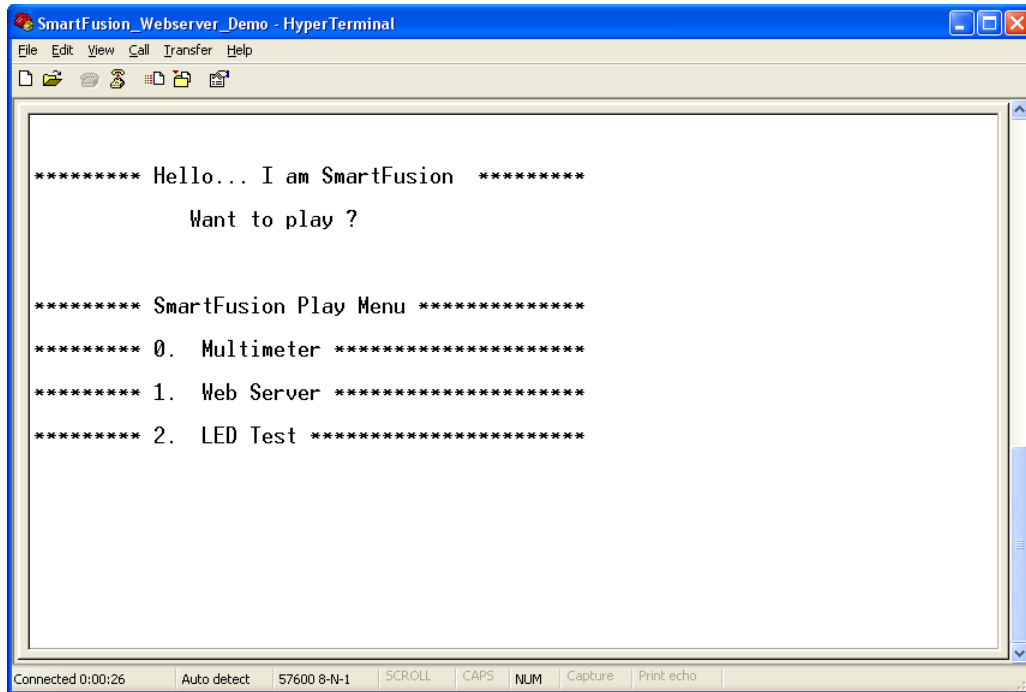
Configure the serial terminal emulation program which is available on your PC with the following settings:

- Bits per second: 57600
- Data bits: 8
- Parity: None
- Stop bits: 1
- Flow control: None

Refer to the *Configuring Serial Terminal Emulation Programs Tutorial* for configuring the HyperTerminal, Tera Term, or PuTTY.

The serial terminal emulation program displays a welcome message and the SmartFusion Play Menu for user selection as shown in the following figure. Use the keyboard to press '0' to select the Multimeter mode, '1' to select Webserver mode, or '2' to select LED Test.

Figure 30 • Serial Terminal Emulation Program (HyperTerminal) Window



8.3 Multimeter Mode

Press 0 in the serial terminal emulation program (like HyperTerminal or Putty) to see the values of the POT voltage, POT current, and external temperature read by the analog computing engine (ACE) of SmartFusion cSoC. Rotate the POT provided on the SmartFusion evaluation board to observe the change in the POT values.

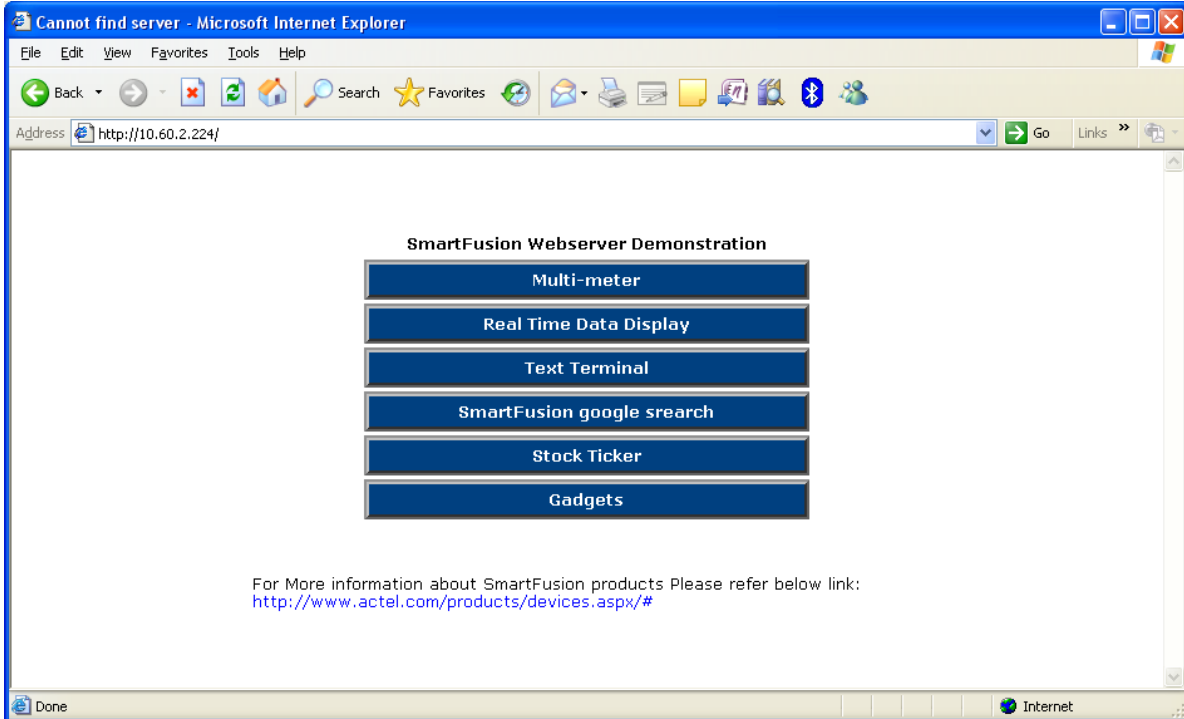
8.4 Webserver Mode

Multimeter mode and the Webserver mode can be selected by pressing '1' in the serial terminal emulation program. This displays the IP address captured by DHCP from the network on the serial terminal emulation program.

Note: To capture the dynamic IP from network, the local area network must be running a DHCP server that assigns an IP address to the Webserver on the board. The network firewalls must not block the board webserver.

Enter the captured IP address in the Internet Explorer address bar and press **Enter** to browse the Webserver utility. The following figure shows the SmartFusion Webserver home page.

Figure 31 • SmartFusion Webserver Home page

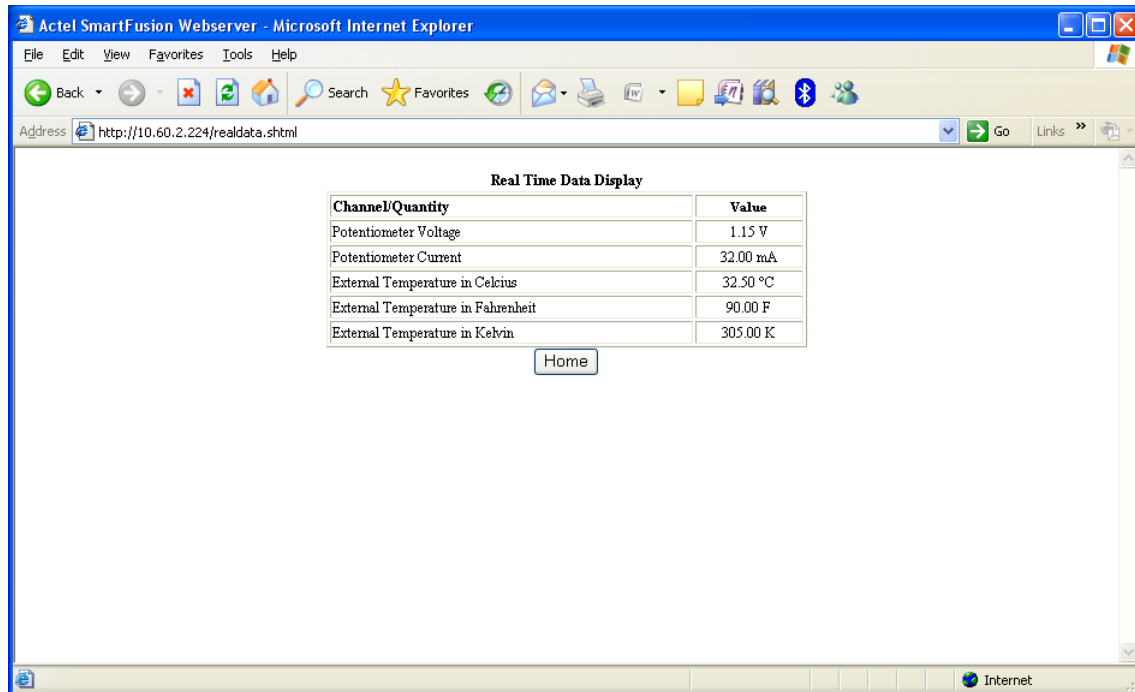


Note: Internet Explorer version 6.0 should be used to run the Webserver utility with proper web page visibility. Also the PC Ethernet card link speed should be in Auto Detect mode or fixed to 100 Mbps speed.

8.5 Real Time Data Display

Select **Real Time Data Display** on the Webserver home page. It displays the voltage, current, and temperature values in real time. The web page refreshes periodically, and displays the updated values of voltage, current, and temperature. Vary the potentiometer on the board and observe the change in the voltage and current values. Click the **Home** button to go back to Home page. The following figure shows the SmartFusion Webserver Real Time Display web page.

Figure 32 • SmartFusion Webserver Real Time Display Web Page



8.6 LED Test

Press switch SW2 to scroll the menu and then press SW1 to select LED test. Observe the blinking of LEDs available on the SmartFusion Evaluation Kit.

Refer to the *SmartFusion Webserver Demo Using uIP and FreeRTOS User's Guide* for step by step procedure to run the demo and for complete features of webserver demo.

9 Manufacturing Test

9.1 A2F-EVAL-KIT-2 Board Testing Procedures

This chapter defines and describes the specific A2F-EVAL-KIT-2 board testing procedures. Instructions for running the A2F-EVAL-KIT-2 board tests and the steps needed to set up the test environment are outlined in the following sections.

Associated files for this procedure can be downloaded at:
www.microsemi.com/soc/download/rsc/?f=A2F_EVAL_KIT_Mfg_PF.

9.1.1 Jumper Settings for the Board Test

The following table lists all the jumpers that need to be set on the board for performing the tests. In case any of the tests in the following section do not work as expected, double-check.

Table 22 • Manufacturing Test Jumper Settings

Jumper	Pin From	Pin To
JP6	2	3
JP7	1	2
JP10	1	2

9.1.2 Installing the A2F-EVAL-KIT-2 Board USB Serial Driver

1. Download and extract all the files from *CP210x_driver.zip*.
2. Double-click on the file named **CP210x_VCP_Win2K_XP_S2K3.exe**.
3. Click Install in the Install Wizard and select **Yes** for the licensing agreement.
4. Restart the computer on which the driver was installed. After restart, the driver can be used to communicate with A2F-EVAL-KIT-2 board.

9.1.3 Hooking up the Board and UART Cable

Connect one end of USB mini B cable to the USB connection, J14 (labeled as USB2 in [Figure 33](#), page 47) on the A2F-EVAL-KIT-2 board. Connect the other end of the USB cable to the PC you will use for testing.

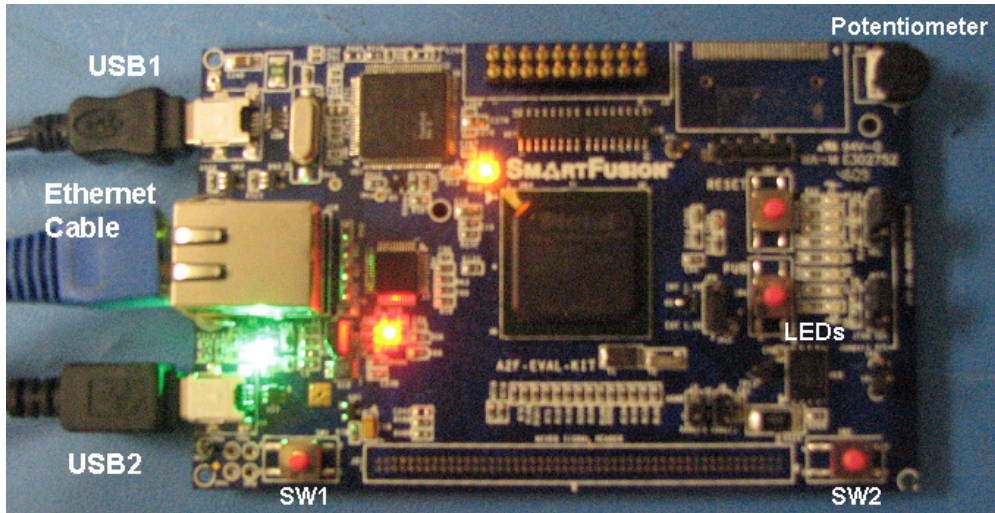
The board receives power from USB. LED1 lights up, indicating the board is powered up. The D11 LED also lights up, indicating UART link establishment.

9.1.4 Hooking Up the Board and Ethernet Cable

Connect an Ethernet cable from the local area network to J10, the A2F-EVAL-KIT-2 Ethernet jack.

Note: For the board Ethernet test to pass, the local network must be running a DHCP server that assigns an IP address to the web server on the board. Network firewalls must not block the web server.

Figure 33 • Board Manufacturing Test Setup

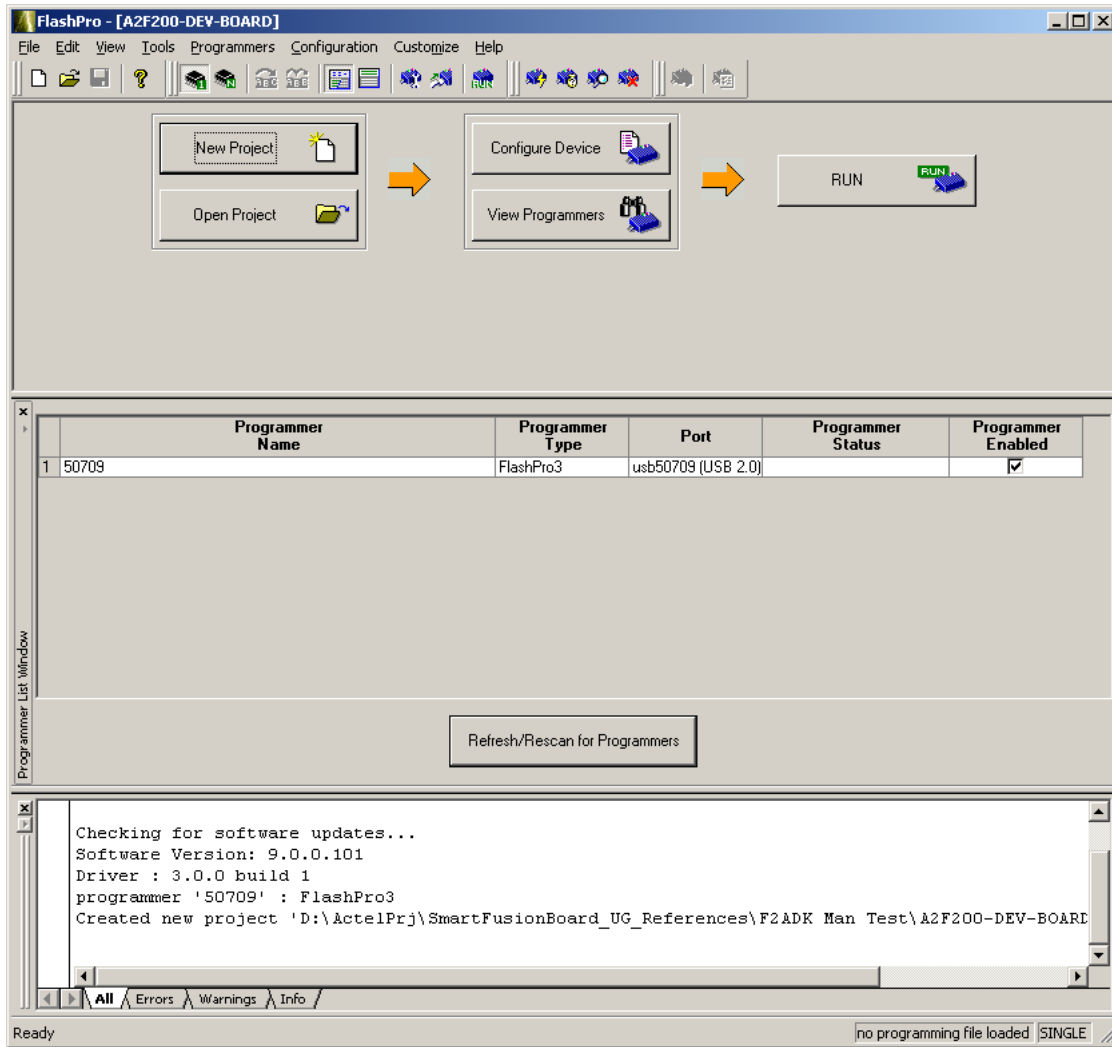


9.1.5 Hooking up the A2F-EVAL-KIT-2 Board Built-in Programmer to PC

Connect the second mini USB cable to connection J13 on the board (labeled USB1 in Figure 33, page 47). Plug in the second side of the cable to the PC USB port. This establishes connection to the built-in programming circuit (FlashPro3) on the board, programming the A2F-EVAL-KIT-2 board (SmartFusion cSoC).

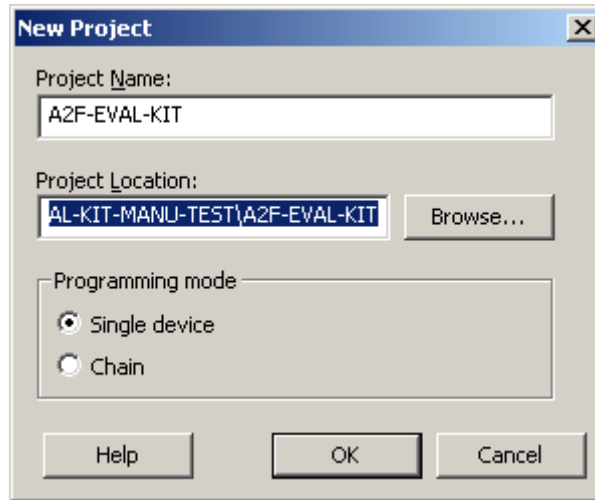
1. Open FlashPro programming software.

Figure 34 • FlashPro New Project Setup



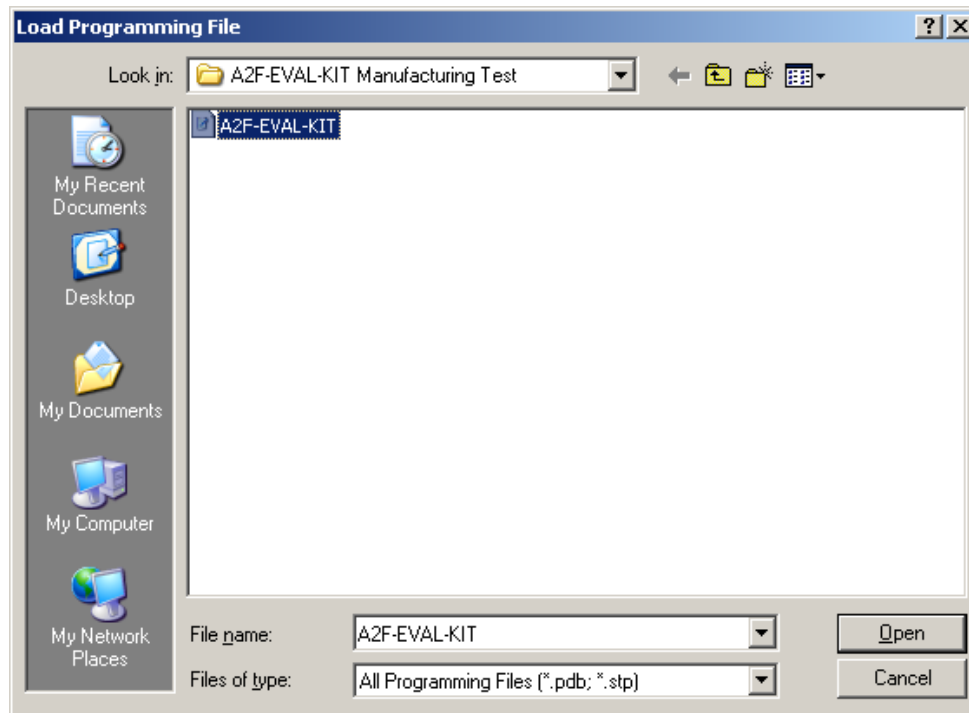
2. Create a new programming project.

Figure 35 • New Project Creation



3. Select the option **Single Device** when choosing the programming mode
4. Click the **Configure Programmer** button. This makes the **Load Existing Programming File** button available.
5. Browse the PC file system to find the A2F-EVAL-KIT.stp programming file. Click **Open** to select the A2F-EVAL-KIT.stp file.

Figure 36 • Selecting Manufacturing Test STAPL File

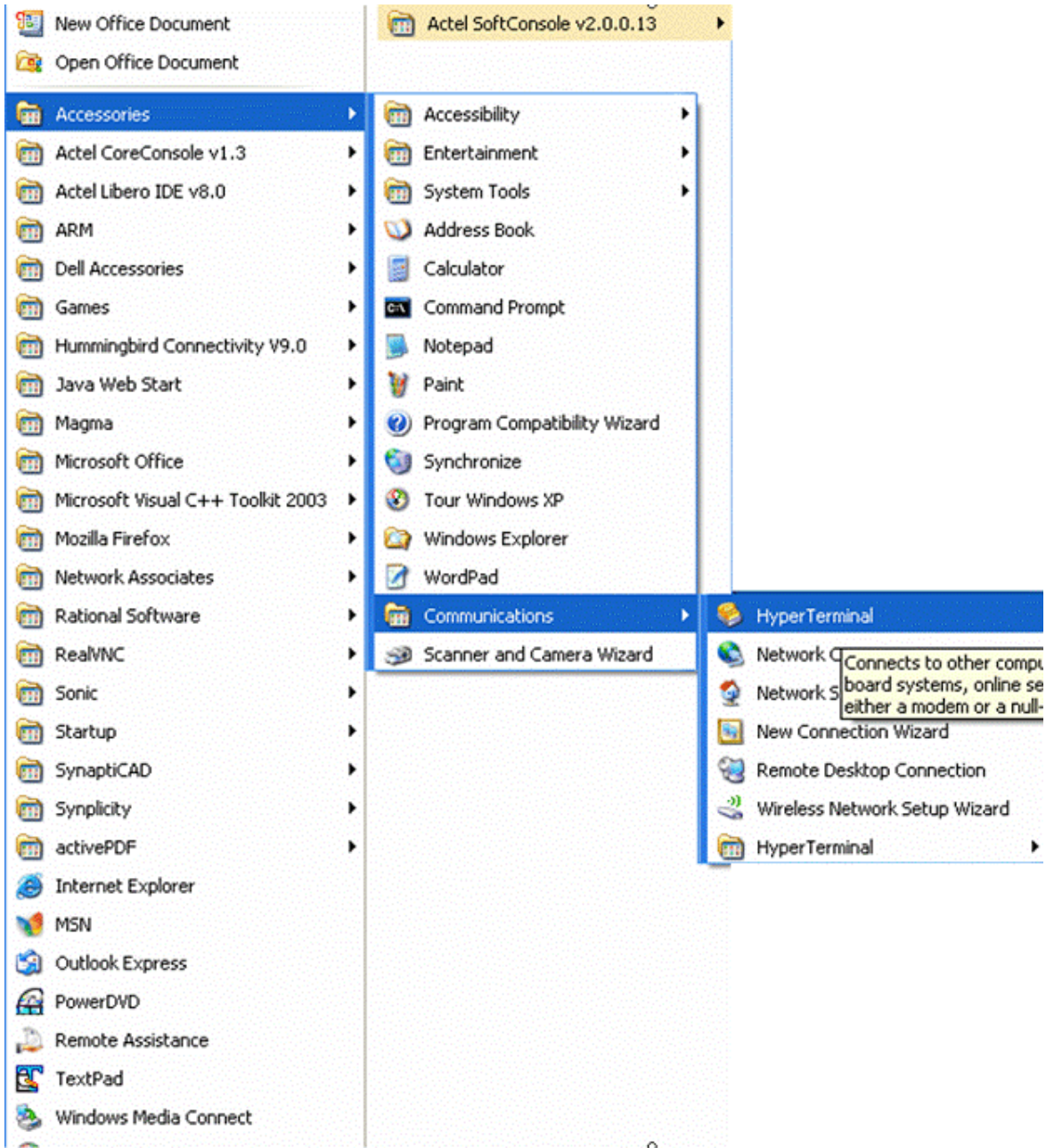


6. Click the **Program** to program the A2F-EVAL-KIT-2 board.

9.1.6 Setting Up the Test Terminal

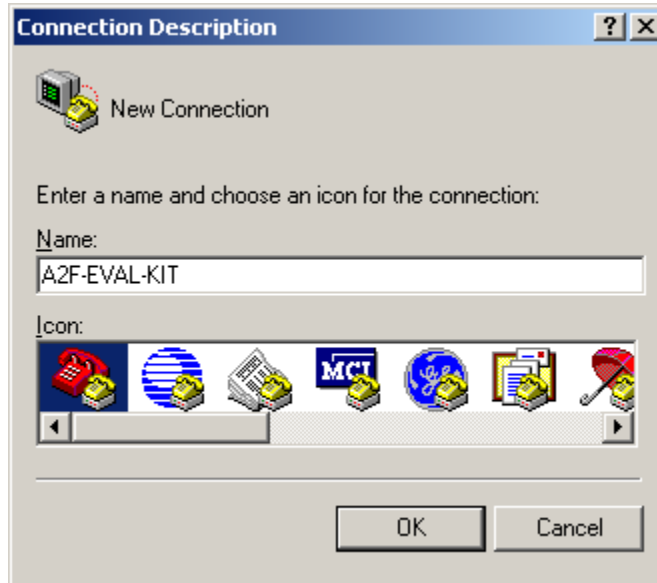
1. Open the Windows start menu. Select **All > Programs > Accessories > Communications** and select the HyperTerminal program. This opens HyperTerminal.

Figure 37 • HyperTerminal Program Setup



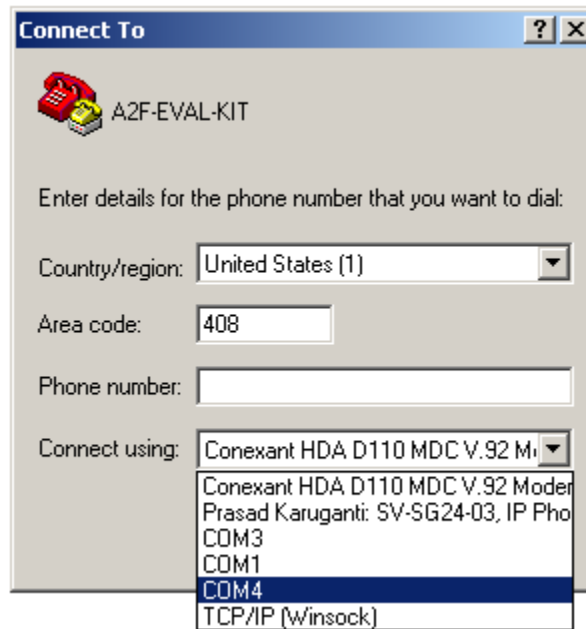
- The Connection description window is displayed. Type **A2F-EVAL-KIT** as the name of the new HyperTerminal session and click the **OK**.

Figure 38 • HyperTerminal Setup



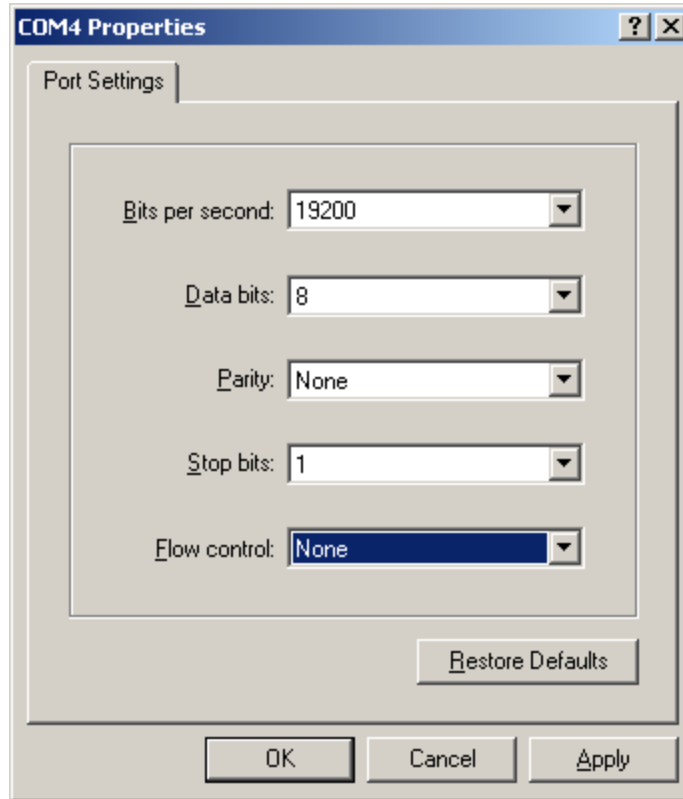
- The Connect To window is displayed. Select the COM4 serial connection.

Figure 39 • HyperTerminal Port Selection



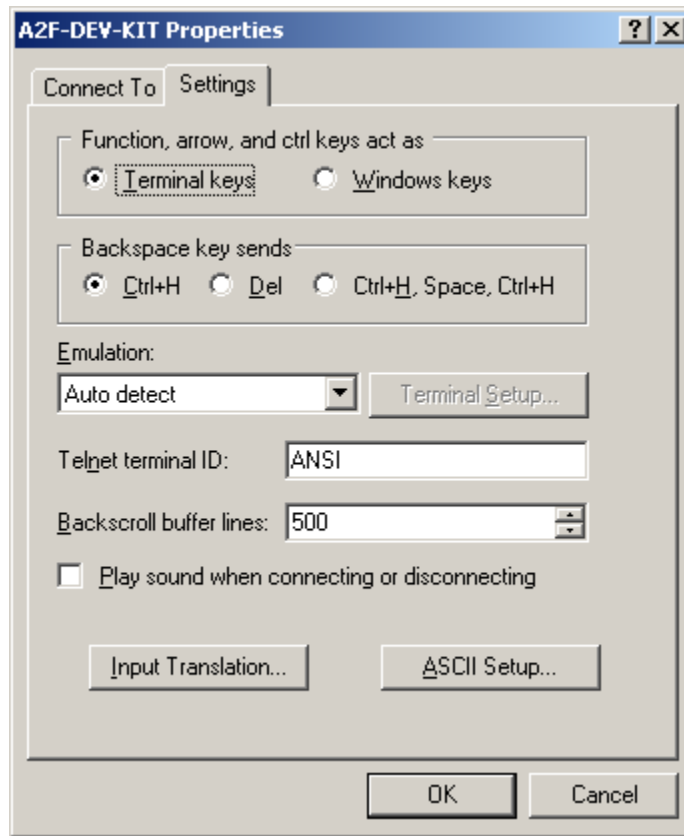
4. The COM4 Properties window is displayed. Select the following settings:
 - Bits per second–19200
 - Data bits–8
 - Parity–None
 - Stop bits–1
 - Flow Control–None

Figure 40 • HyperTerminal Port Settings



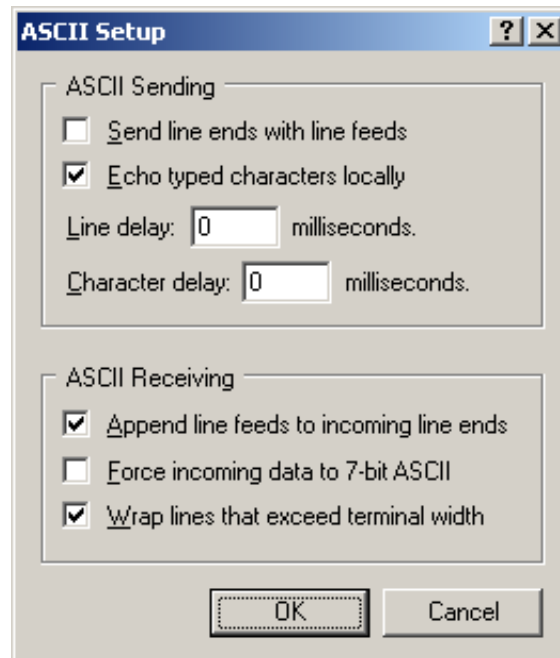
5. Goto **File > Properties** in the HyperTerminal window and select **Settings** tab.

Figure 41 • HyperTerminal Properties



6. Click **ASCII Setup**. Select the check box labeled **Append line feeds to incoming line ends**.

Figure 42 • ASCII Character Settings

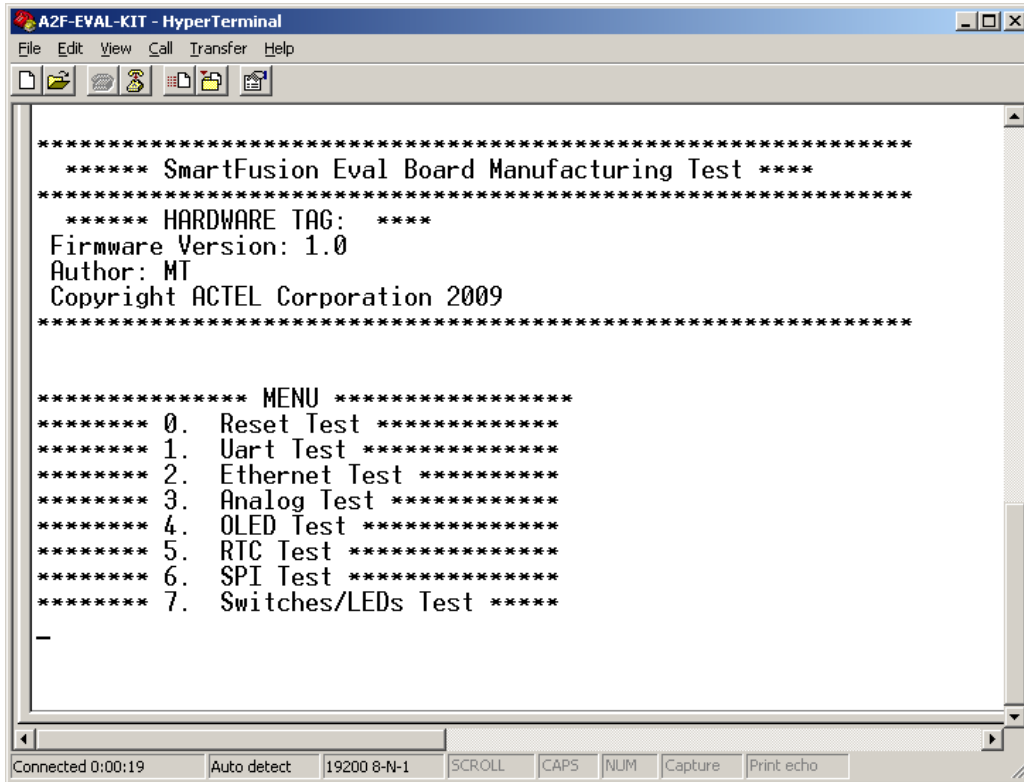


9.2 Running the A2F-EVAL-KIT-2 Board Test

Press **RESET** (SW3) on the A2F-EVAL-KIT-2 board to start the test program.

The following window should appear on the terminal.

Figure 43 • Manufacturing Test Menu



```

*****
***** SmartFusion Eval Board Manufacturing Test *****
*****
***** HARDWARE TAG: *****
Firmware Version: 1.0
Author: MT
Copyright ACTEL Corporation 2009
*****

***** MENU *****
***** 0. Reset Test *****
***** 1. Uart Test *****
***** 2. Ethernet Test *****
***** 3. Analog Test *****
***** 4. OLED Test *****
***** 5. RTC Test *****
***** 6. SPI Test *****
***** 7. Switches/LEDs Test *****
-

```

Connected 0:00:19 Auto detect 19200 8-N-1 SCROLL CAPS NUM Capture Print echo

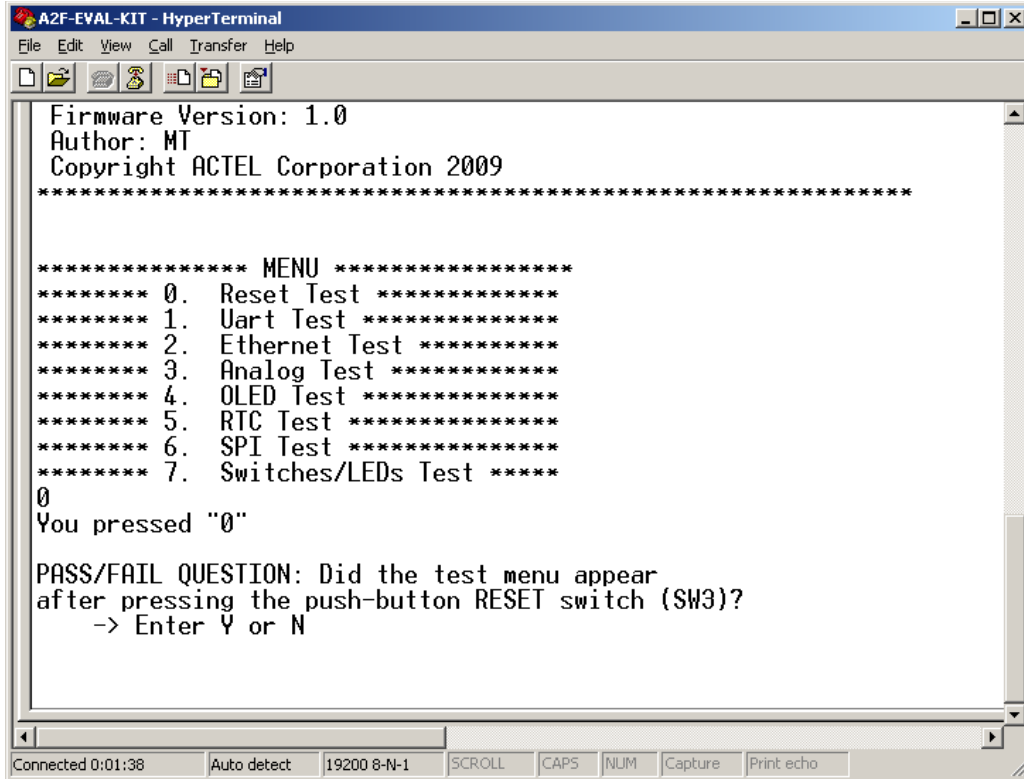
Note: If this message does not appear, try pressing SW8 again. If the above message still does not appear, refer to the [Setting Up the Test Terminal](#), page 50 and check to see that the terminal is set up correctly.

Note: The latest revision of SmartFusion Evaluation kit does not contain a OLED display. For more information, see [PCN 1207: New Revisions of Hardware Kits \(A2F-EVAL-KIT, A2F500-DEV-KIT, A3PE-STARTER-KIT\)](#) and [CN1418A: Addendum A - Designing without OLED Display on Kits](#).

9.2.1 RESET Test

1. Enter **0** in the terminal to begin the reset test. The resulting display should be similar to the following figure.

Figure 44 • Reset Test



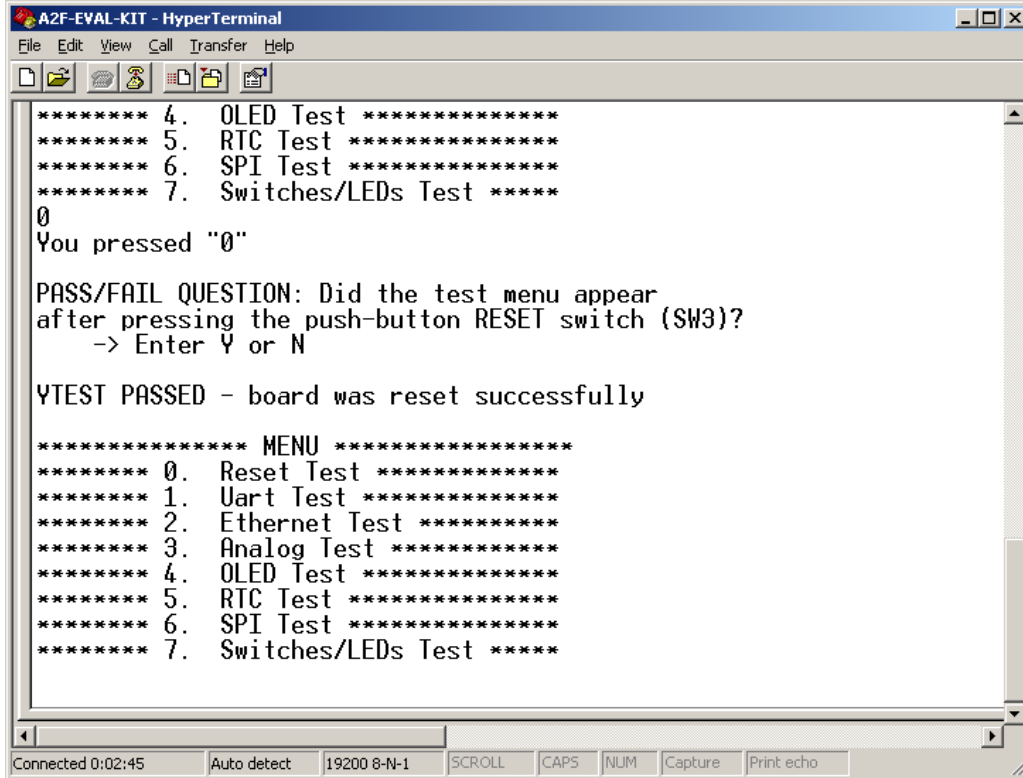
```
A2F-EVAL-KIT - HyperTerminal
File Edit View Call Transfer Help
Firmware Version: 1.0
Author: MT
Copyright ACTEL Corporation 2009
*****

***** MENU *****
***** 0. Reset Test *****
***** 1. Uart Test *****
***** 2. Ethernet Test *****
***** 3. Analog Test *****
***** 4. OLED Test *****
***** 5. RTC Test *****
***** 6. SPI Test *****
***** 7. Switches/LEDs Test *****
0
You pressed "0"

PASS/FAIL QUESTION: Did the test menu appear
after pressing the push-button RESET switch (SW3)?
-> Enter Y or N

Connected 0:01:38 Auto detect 19200 8-N-1 SCROLL CAPS NUM Capture Print echo
```

2. If the menu appears correct, enter the character **Y** into the terminal.

Figure 45 • Reset Test Result

```
A2F-EVAL-KIT - HyperTerminal
File Edit View Call Transfer Help
***** 4. OLED Test *****
***** 5. RTC Test *****
***** 6. SPI Test *****
***** 7. Switches/LEDs Test *****
0
You pressed "0"

PASS/FAIL QUESTION: Did the test menu appear
after pressing the push-button RESET switch (SW3)?
-> Enter Y or N

YTEST PASSED - board was reset successfully

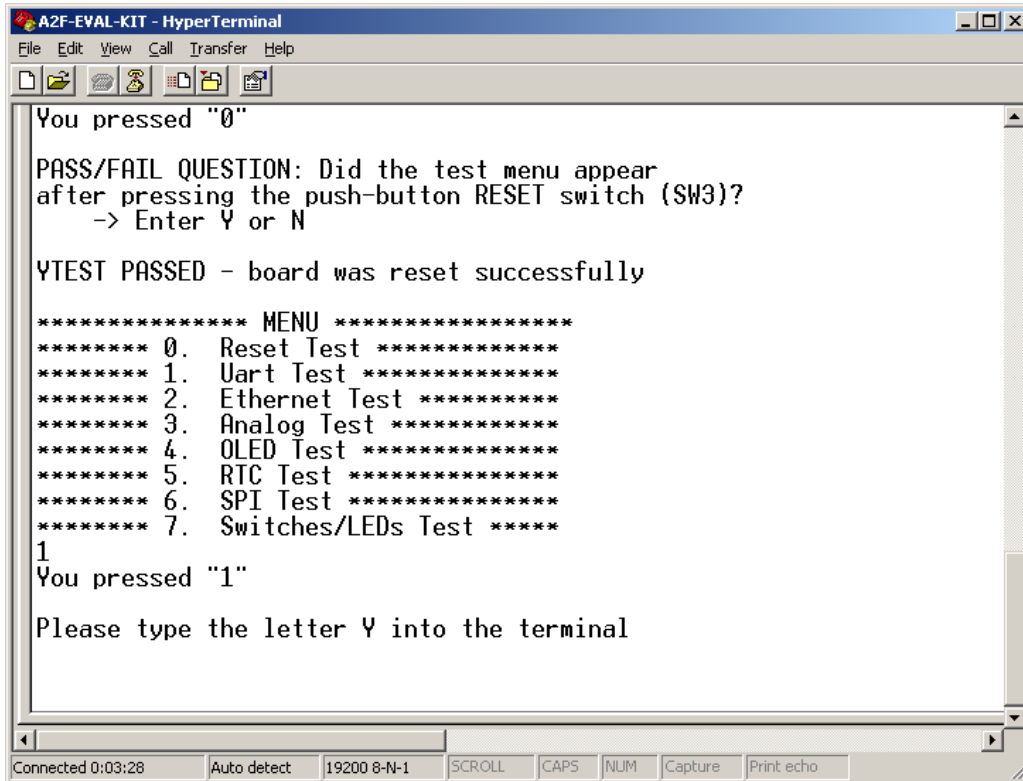
***** MENU *****
***** 0. Reset Test *****
***** 1. Uart Test *****
***** 2. Ethernet Test *****
***** 3. Analog Test *****
***** 4. OLED Test *****
***** 5. RTC Test *****
***** 6. SPI Test *****
***** 7. Switches/LEDs Test *****

Connected 0:02:45 Auto detect 19200 8-N-1 SCROLL CAPS NUM Capture Print echo
```


9.2.2 UART Test

1. Enter 1 in the terminal to begin the UART test .

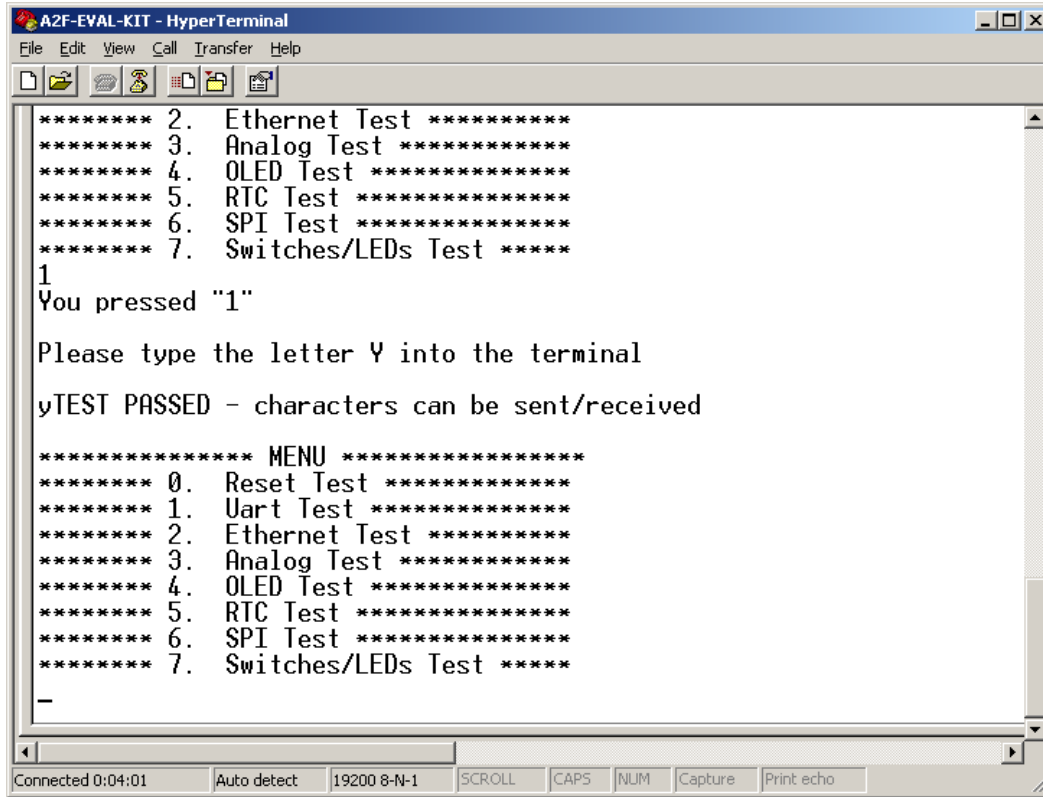
Figure 46 • UART Test



```
A2F-EVAL-KIT - HyperTerminal
File Edit View Call Transfer Help
You pressed "0"
PASS/FAIL QUESTION: Did the test menu appear
after pressing the push-button RESET switch (SW3)?
-> Enter Y or N
YTEST PASSED - board was reset successfully
***** MENU *****
***** 0. Reset Test *****
***** 1. Uart Test *****
***** 2. Ethernet Test *****
***** 3. Analog Test *****
***** 4. OLED Test *****
***** 5. RTC Test *****
***** 6. SPI Test *****
***** 7. Switches/LEDs Test *****
1
You pressed "1"
Please type the letter Y into the terminal
Connected 0:03:28 Auto detect 19200 8-N-1 SCROLL CAPS NUM Capture Print echo
```

2. Type the character Y into the terminal. The following window should appear.

Figure 47 • UART Test Result

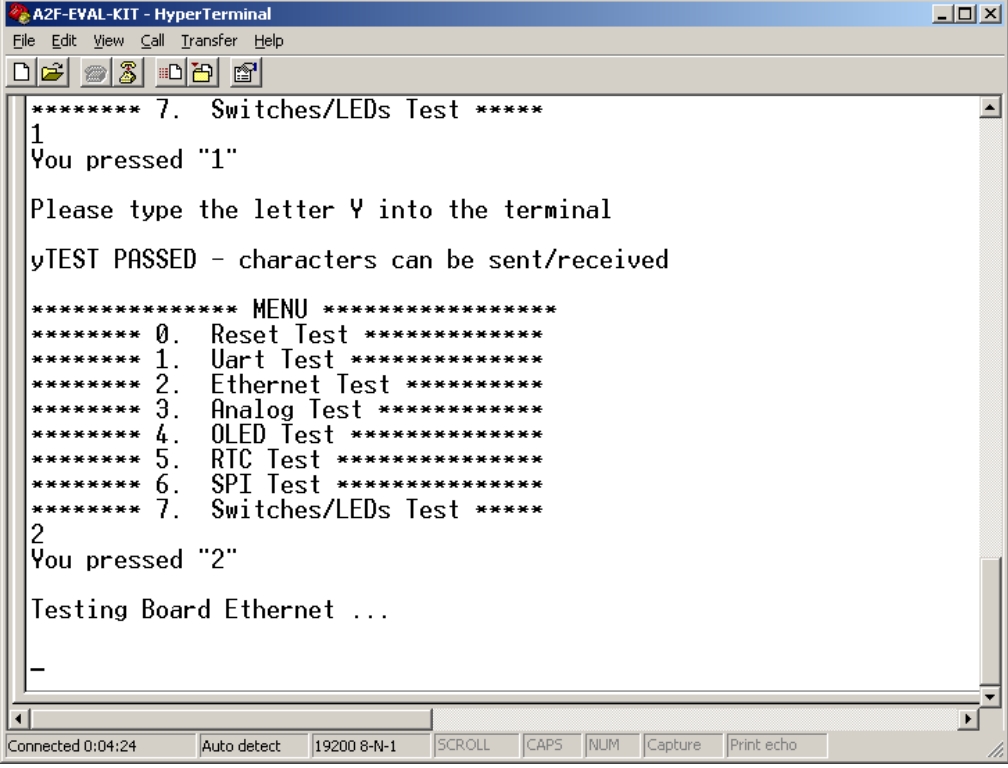


```
A2F-EVAL-KIT - HyperTerminal
File Edit View Call Transfer Help
***** 2. Ethernet Test *****
***** 3. Analog Test *****
***** 4. OLED Test *****
***** 5. RTC Test *****
***** 6. SPI Test *****
***** 7. Switches/LEDs Test *****
1
You pressed "1"
Please type the letter Y into the terminal
yTEST PASSED - characters can be sent/received
***** MENU *****
***** 0. Reset Test *****
***** 1. Uart Test *****
***** 2. Ethernet Test *****
***** 3. Analog Test *****
***** 4. OLED Test *****
***** 5. RTC Test *****
***** 6. SPI Test *****
***** 7. Switches/LEDs Test *****
-
Connected 0:04:01 Auto detect 19200 8-N-1 SCROLL CAPS NUM Capture Print echo
```

9.2.3 Ethernet Test

1. Enter **2** in the terminal to begin the Ethernet test. The following windows should appear.

Figure 48 • Ethernet Test



```
***** 7. Switches/LEDs Test *****
1
You pressed "1"

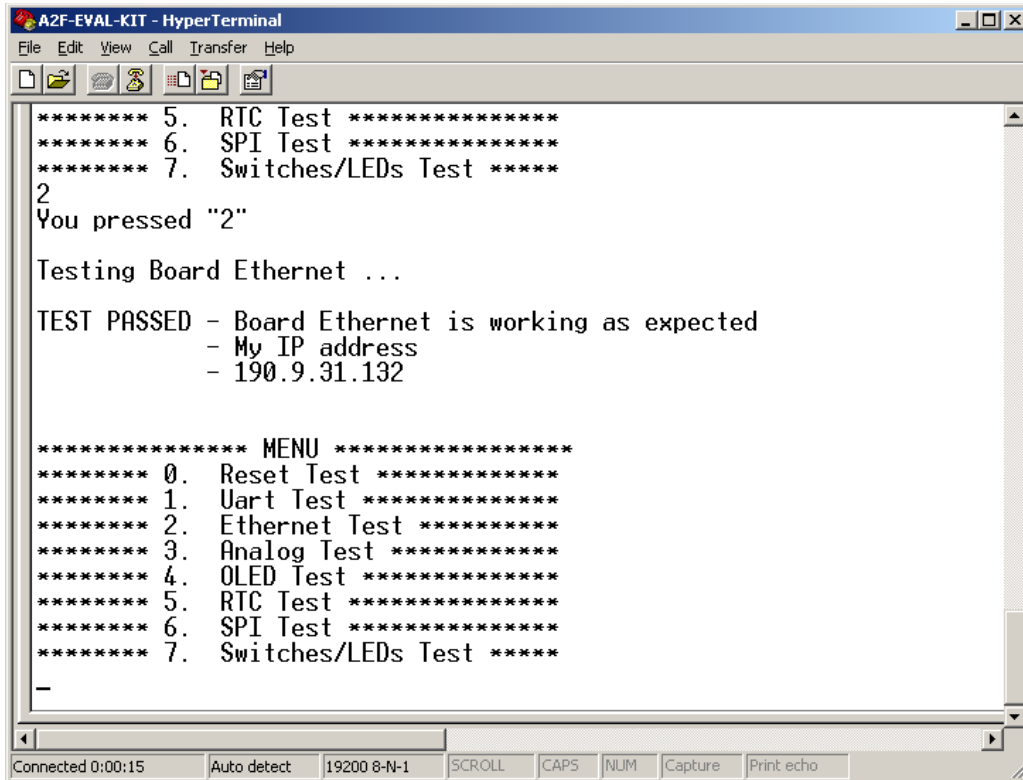
Please type the letter Y into the terminal
yTEST PASSED - characters can be sent/received

***** MENU *****
***** 0. Reset Test *****
***** 1. Uart Test *****
***** 2. Ethernet Test *****
***** 3. Analog Test *****
***** 4. OLED Test *****
***** 5. RTC Test *****
***** 6. SPI Test *****
***** 7. Switches/LEDs Test *****
2
You pressed "2"

Testing Board Ethernet ...

-

Connected 0:04:24  Auto detect  19200 8-N-1  SCROLL  CAPS  NUM  Capture  Print echo
```

Figure 49 • Ethernet Test Result

```
A2F-EVAL-KIT - HyperTerminal
File Edit View Call Transfer Help
***** 5. RTC Test *****
***** 6. SPI Test *****
***** 7. Switches/LEDs Test *****
2
You pressed "2"

Testing Board Ethernet ...

TEST PASSED - Board Ethernet is working as expected
              - My IP address
              - 190.9.31.132

***** MENU *****
***** 0. Reset Test *****
***** 1. Uart Test *****
***** 2. Ethernet Test *****
***** 3. Analog Test *****
***** 4. OLED Test *****
***** 5. RTC Test *****
***** 6. SPI Test *****
***** 7. Switches/LEDs Test *****
-

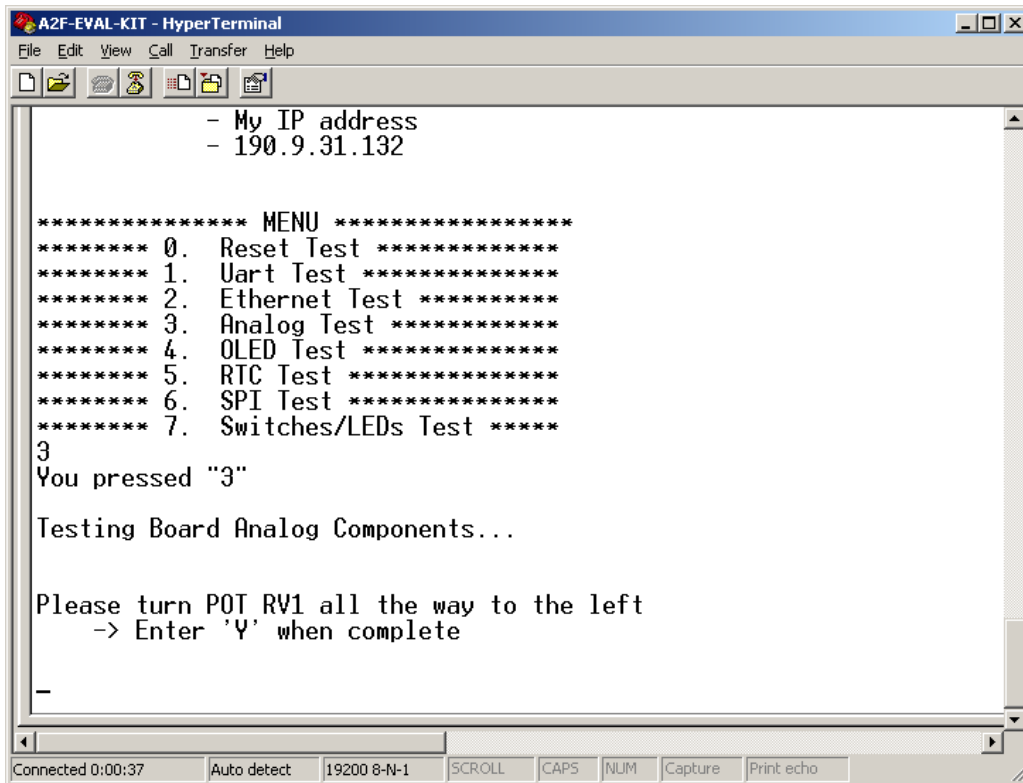
Connected 0:00:15  Auto detect  19200 8-N-1  SCROLL  CAPS  NUM  Capture  Print echo
```

Note: The IP address may vary in the network setup.

9.2.4 Analog Test

1. Enter **3** in the terminal to begin the Analog test. The following window should appear.

Figure 50 • Analog Test



```
A2F-EVAL-KIT - HyperTerminal
File Edit View Call Transfer Help
- My IP address
- 190.9.31.132

***** MENU *****
***** 0. Reset Test *****
***** 1. Uart Test *****
***** 2. Ethernet Test *****
***** 3. Analog Test *****
***** 4. OLED Test *****
***** 5. RTC Test *****
***** 6. SPI Test *****
***** 7. Switches/LEDs Test *****
3
You pressed "3"

Testing Board Analog Components...

Please turn POT RV1 all the way to the left
-> Enter 'Y' when complete

-

Connected 0:00:37 Auto detect 19200 8-N-1 SCROLL CAPS NUM Capture Print echo
```

2. Locate POT RV on the bottom, left hand corner of the board. Turn POT RV1 counter-clockwise all the way to the left, as shown in the following figure.

Figure 51 • POT RV1



Figure 52 • Analog Test Starting Results

```

A2F-EVAL-KIT - HyperTerminal
File Edit View Call Transfer Help
***** 5. RTC Test *****
***** 6. SPI Test *****
***** 7. Switches/LEDs Test *****
3
You pressed "3"

Testing Board Analog Components...

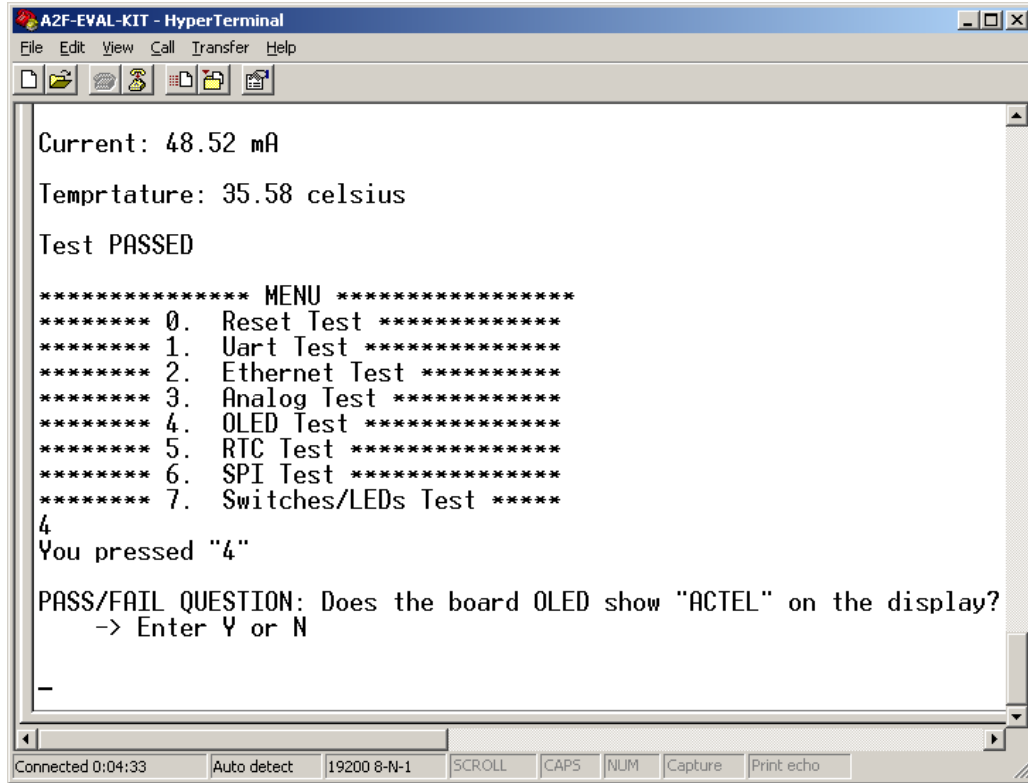
Please turn POT RV1 all the way to the left
-> Enter 'Y' when complete

yVoltage at AC0: 2.56 V
Current: 4.70 mA
Temperture: 35.08 celsius

Please turn POT RV1 all the way to the right
-> Enter 'Y' when complete
    
```

- Turn POT RV clockwise all the way clockwise to the right. The display on the terminal should be similar to the following figure.

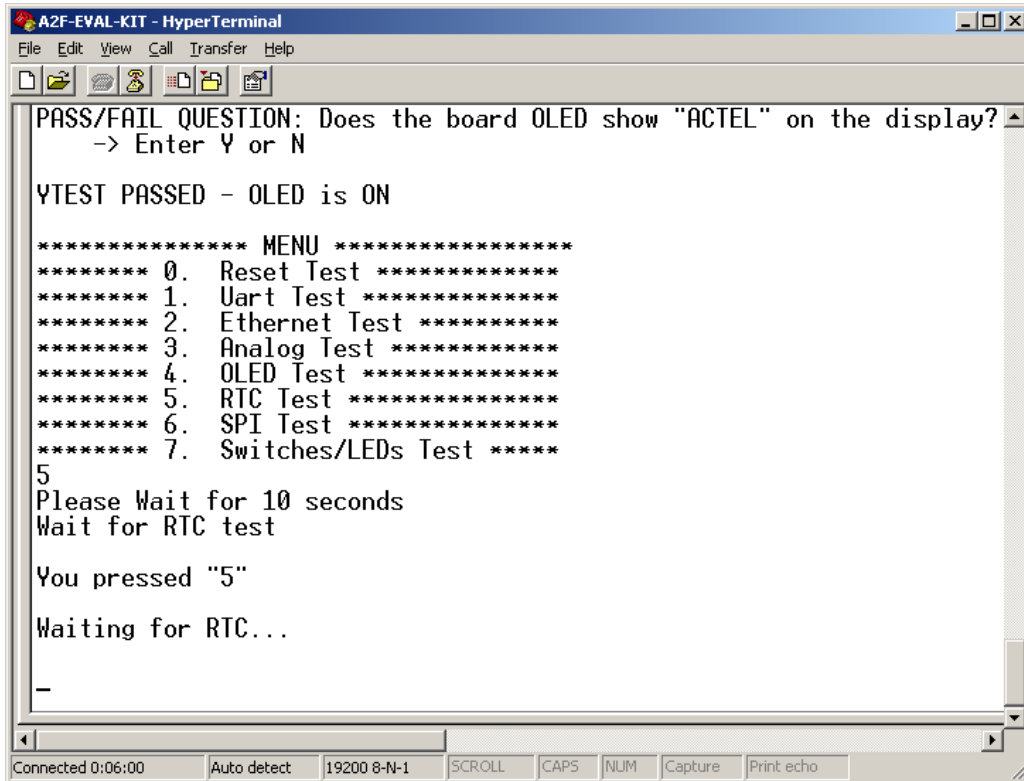
Figure 53 • Analog Test Ending Results



9.2.5 RTC Test

1. Enter **5** in the terminal to begin the RTC test.

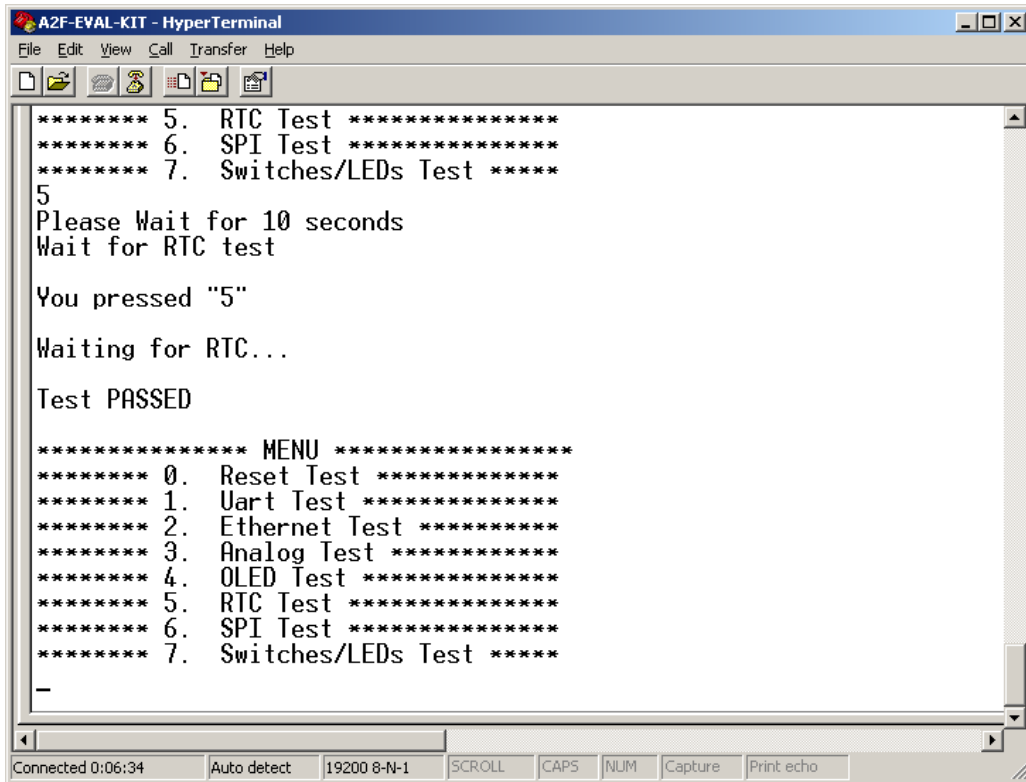
Figure 54 • RTC Test



```
A2F-EVAL-KIT - HyperTerminal
File Edit View Call Transfer Help
PASS/FAIL QUESTION: Does the board OLED show "ACTEL" on the display?
-> Enter Y or N
YTEST PASSED - OLED is ON
***** MENU *****
***** 0. Reset Test *****
***** 1. Uart Test *****
***** 2. Ethernet Test *****
***** 3. Analog Test *****
***** 4. OLED Test *****
***** 5. RTC Test *****
***** 6. SPI Test *****
***** 7. Switches/LEDs Test *****
5
Please Wait for 10 seconds
Wait for RTC test
You pressed "5"
Waiting for RTC...
-
Connected 0:06:00 Auto detect 19200 8-N-1 SCROLL CAPS NUM Capture Print echo
```


2. After a few seconds, the following window should appear.

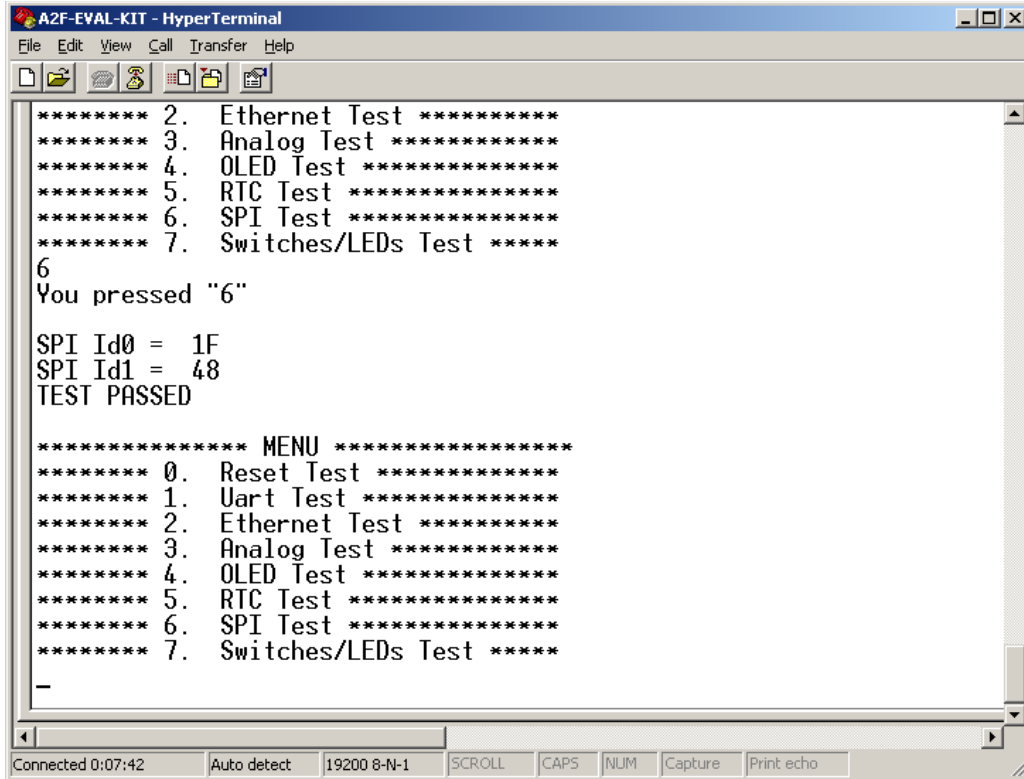
Figure 55 • RTC Test Passed



9.2.6 SPI Test

1. Enter **6** in the terminal to begin the SPI test. After several seconds, the following window should appear.

Figure 56 • SPI Test



```
A2F-EVAL-KIT - HyperTerminal
File Edit View Call Transfer Help
***** 2. Ethernet Test *****
***** 3. Analog Test *****
***** 4. OLED Test *****
***** 5. RTC Test *****
***** 6. SPI Test *****
***** 7. Switches/LEDs Test *****
6
You pressed "6"

SPI Id0 = 1F
SPI Id1 = 48
TEST PASSED

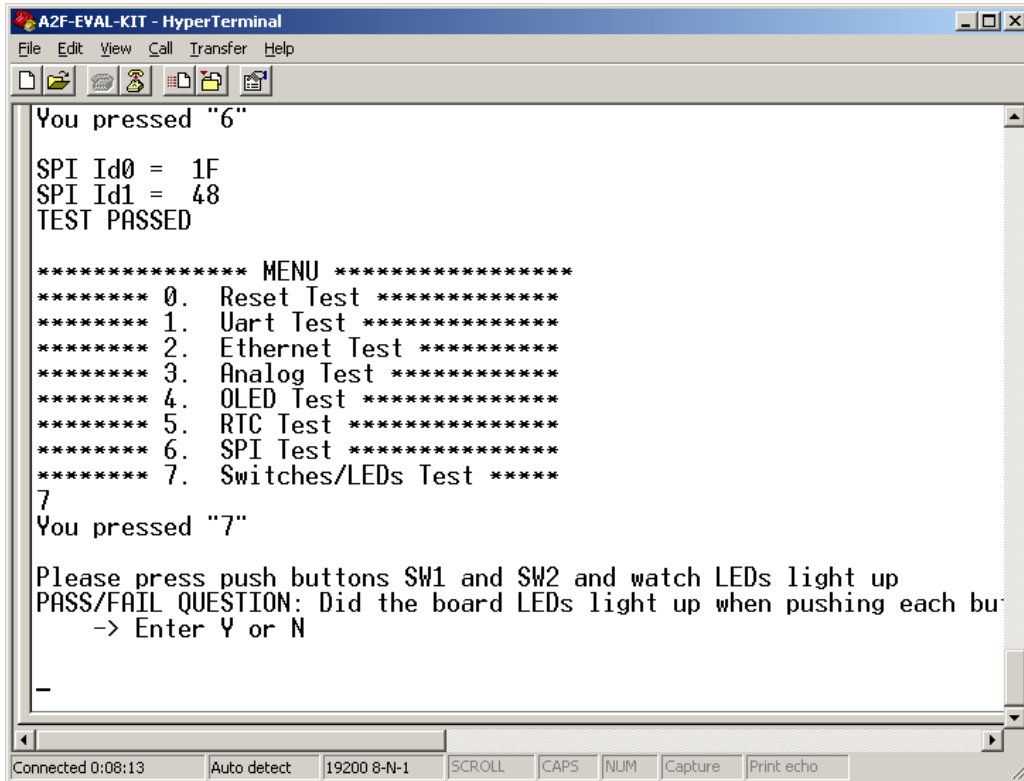
***** MENU *****
***** 0. Reset Test *****
***** 1. Uart Test *****
***** 2. Ethernet Test *****
***** 3. Analog Test *****
***** 4. OLED Test *****
***** 5. RTC Test *****
***** 6. SPI Test *****
***** 7. Switches/LEDs Test *****
-

Connected 0:07:42 Auto detect 19200 8-N-1 SCROLL CAPS NUM Capture Print echo
```

9.2.7 Switch/LED Test

1. Enter 7 into the terminal to begin the LEDs test. The following window is displayed.

Figure 57 • LED Test



```

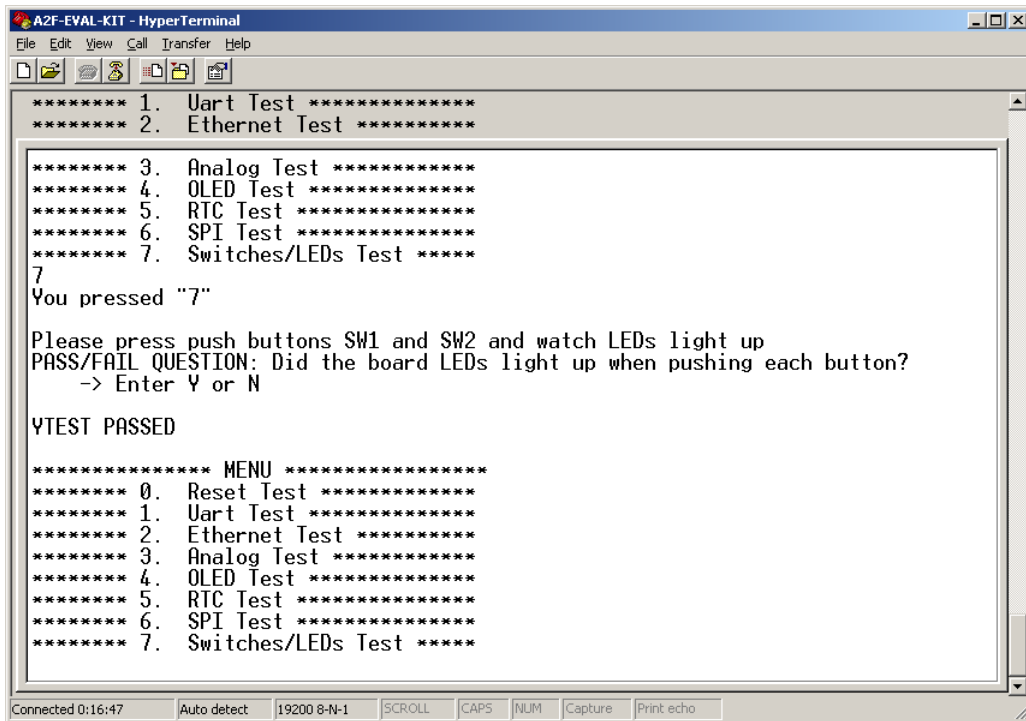
A2F-EVAL-KIT - HyperTerminal
File Edit View Call Transfer Help
You pressed "6"
SPI Id0 = 1F
SPI Id1 = 48
TEST PASSED

***** MENU *****
***** 0. Reset Test *****
***** 1. Uart Test *****
***** 2. Ethernet Test *****
***** 3. Analog Test *****
***** 4. OLED Test *****
***** 5. RTC Test *****
***** 6. SPI Test *****
***** 7. Switches/LEDs Test *****
7
You pressed "7"
Please press push buttons SW1 and SW2 and watch LEDs light up
PASS/FAIL QUESTION: Did the board LEDs light up when pushing each bu
-> Enter Y or N
-
Connected 0:08:13 Auto detect 19200 8-N-1 SCROLL CAPS NUM Capture Print echo

```

2. Press push-buttons SW1, SW2, SW3, SW4 and SW5. When any of these buttons is pressed, the LEDs should light up.
3. Then press DIP1, DIP2, DIP3, DIP4. This should light up each of the 4 LEDs.
4. If you observed the LEDs light up, enter Y in the terminal. Otherwise enter N. If Y was entered, the screen shown in the following figure will be displayed.

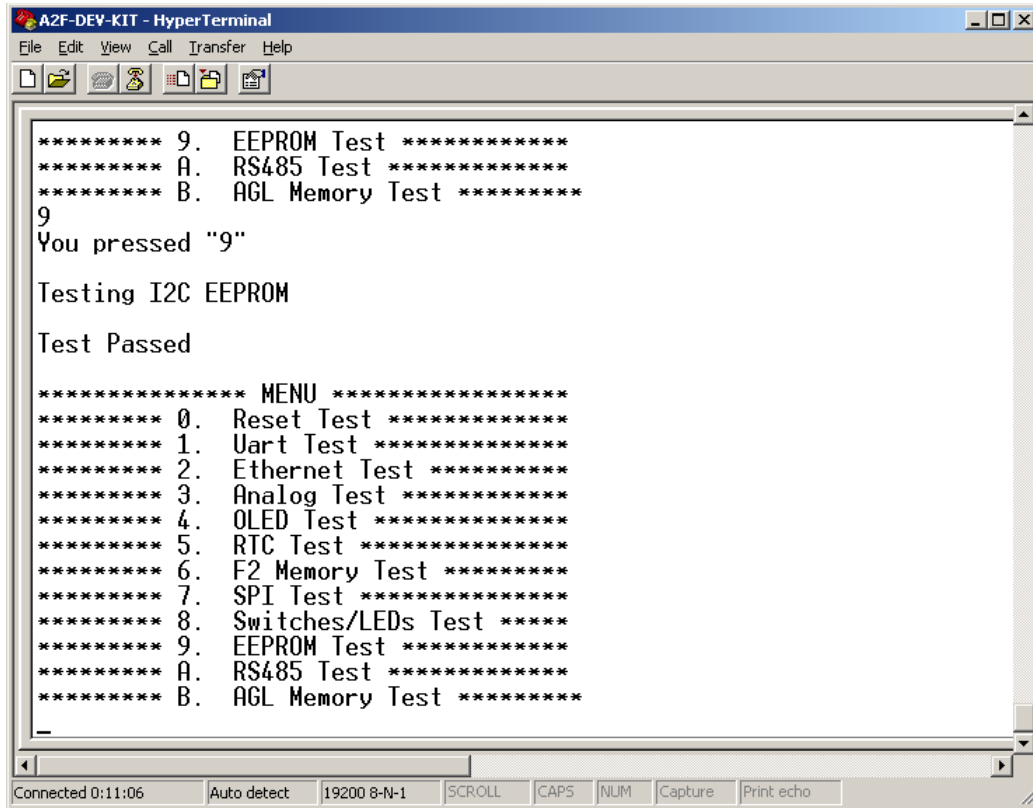
Figure 58 • Switch Test



9.2.8 I²C EEPROM

Enter 9 into the terminal to begin the I2C EEPROM test. The screen shown in the following figure is displayed after few seconds.

Figure 59 • I²C EEPROM Test



9.2.9 RS485 Test

1. Open another terminal window, this time set to COM. Configure as shown in Figure 60, page 70 through Figure 62, page 71.

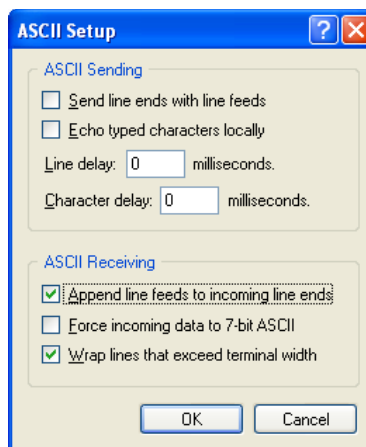
Figure 60 • COM1 Setting



Figure 61 • Connect To Dialog

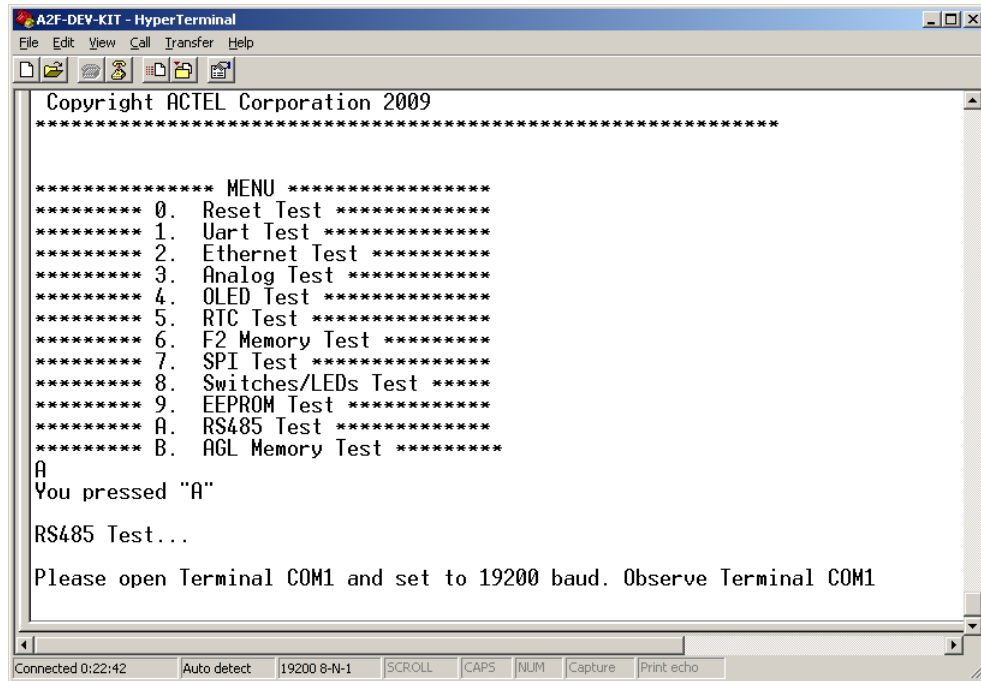


Figure 62 • ASCII Setup



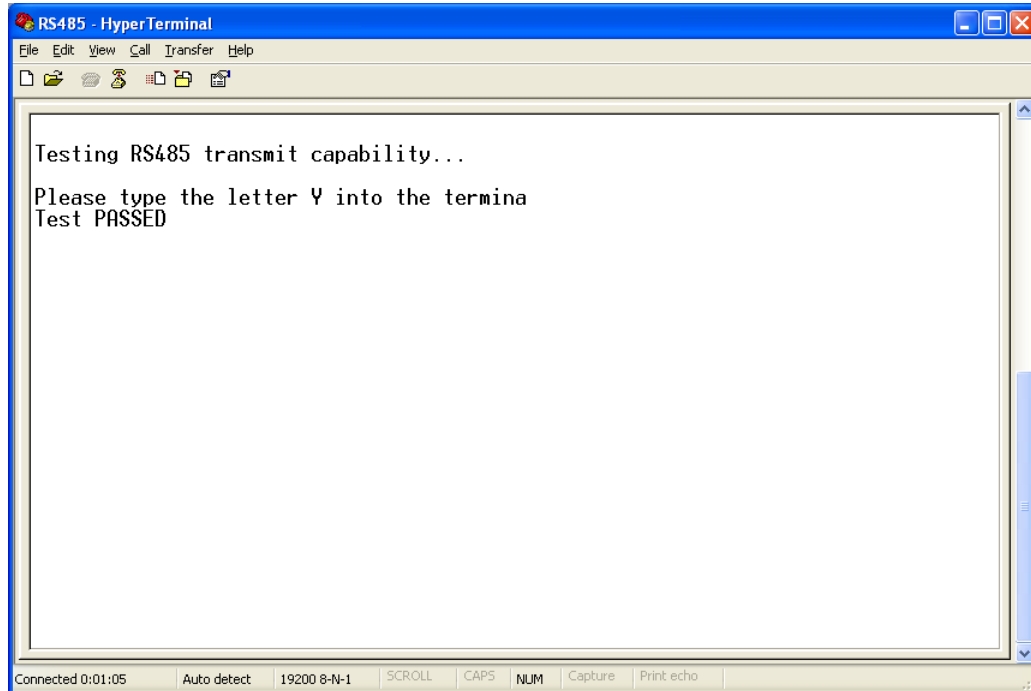
- Enter A into the terminal to begin the RS485 test. The screen shown in the following figure is displayed.

Figure 63 • RS485 Test



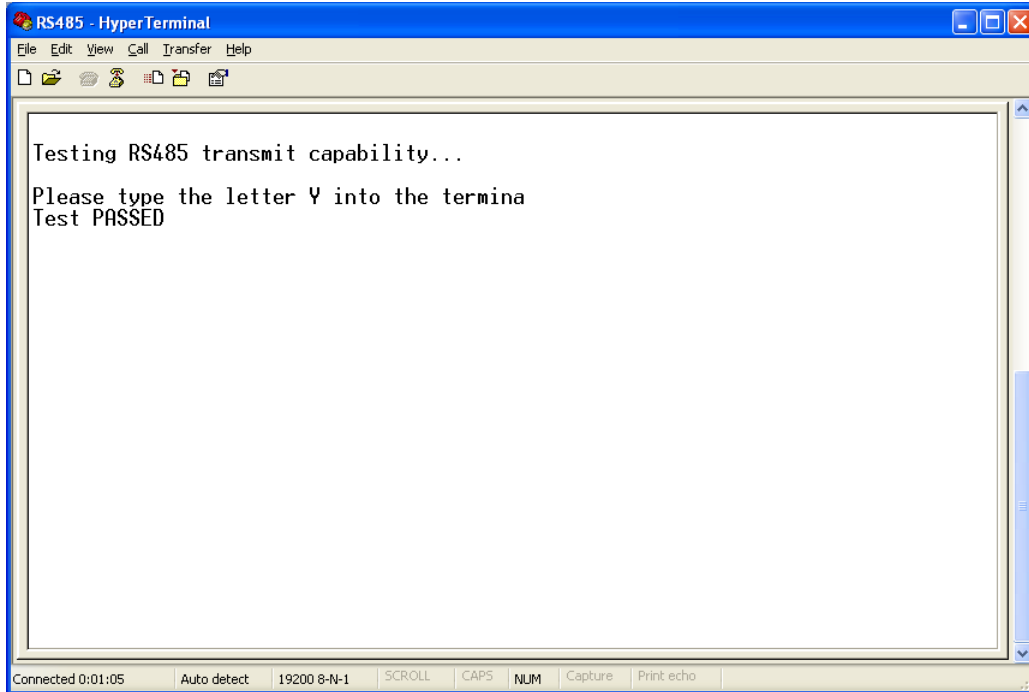
The display in the COM1 terminal window should be similar to the following figure.

Figure 64 • RS485 Test Message



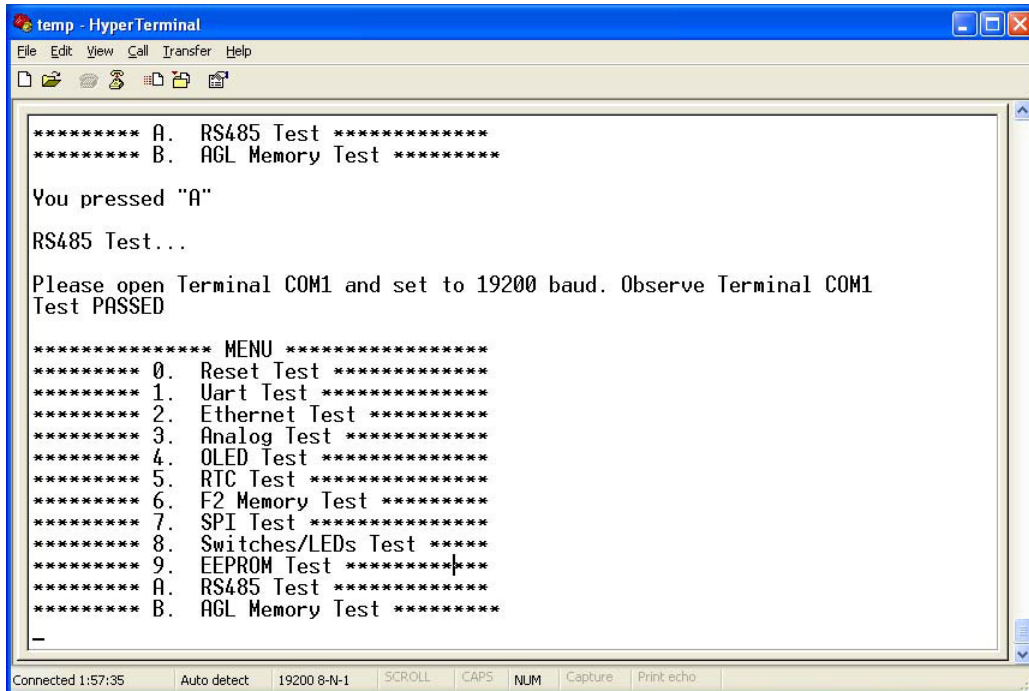
3. Enter the character Y into this terminal. The display on the COM1 terminal should be similar to the following figure.

Figure 65 • RS485 Test Message 2



4. The display on the COM4 terminal should be as shown in the following figure.

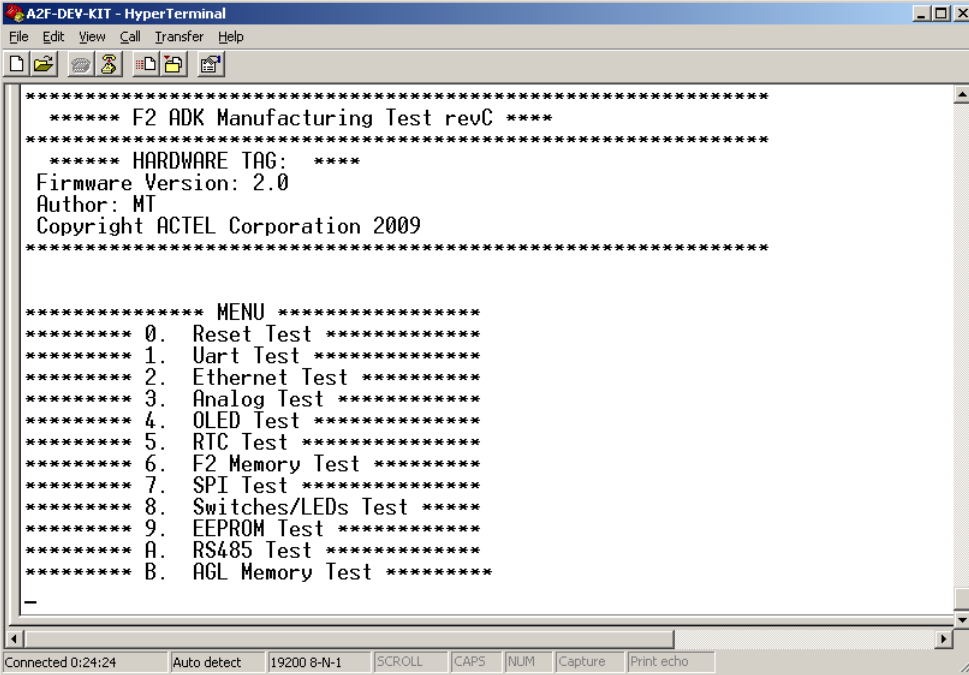
Figure 66 • RS485 Test Passed



9.2.10 AGL Memory Test

1. Turn off the board by flipping switch SW6 off.
2. Place board jumpers JP17, JP19, and JP16 in the following positions:
JP17: 1-2
JP19: 1-2
JP16: 1-2
3. Turn on board power by flipping switch SW6. Press the reset button SW8. The screen shown in the following figure should appear.

Figure 67 • Select AGL Memory Test



```

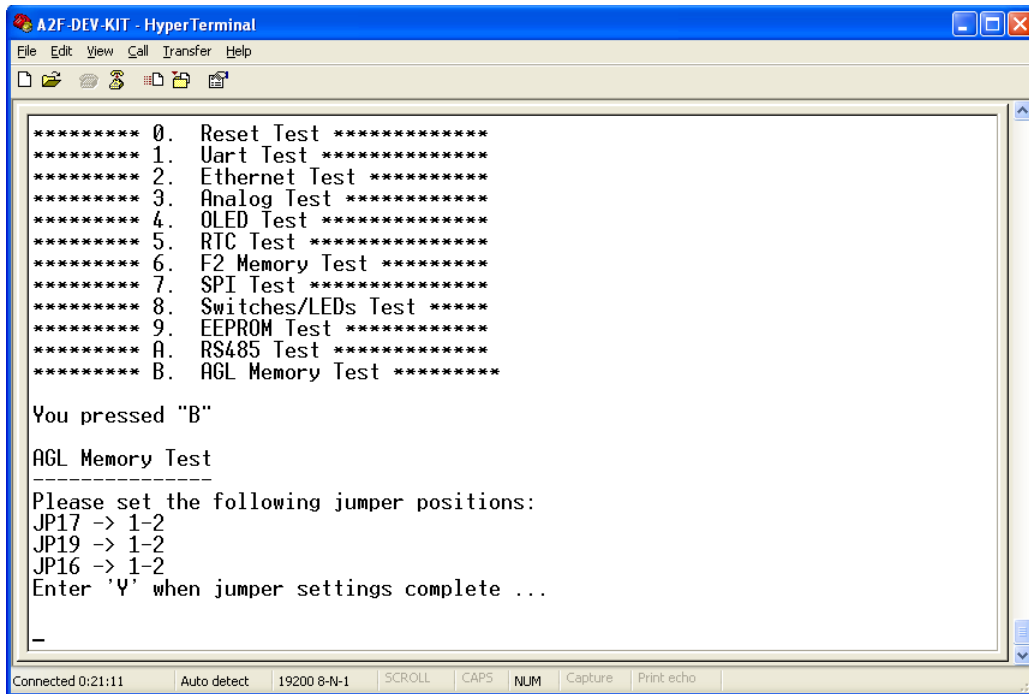
A2F-DEV-KIT - HyperTerminal
File Edit View Call Transfer Help
*****
***** F2 ADK Manufacturing Test revC *****
***** HARDWARE TAG: *****
Firmware Version: 2.0
Author: MT
Copyright ACTEL Corporation 2009
*****

***** MENU *****
***** 0. Reset Test *****
***** 1. Uart Test *****
***** 2. Ethernet Test *****
***** 3. Analog Test *****
***** 4. OLED Test *****
***** 5. RTC Test *****
***** 6. F2 Memory Test *****
***** 7. SPI Test *****
***** 8. Switches/LEDs Test *****
***** 9. EEPROM Test *****
***** A. RS485 Test *****
***** B. AGL Memory Test *****
_

Connected 0:24:24 Auto detect 19200 8-N-1 SCROLL CAPS NUM Capture Print echo

```

4. Enter B into the terminal to begin the AGL memory test. The screen shown in the following figure is displayed.

Figure 68 • AGL Memory Test


```

A2F-DEV-KIT - HyperTerminal
File Edit View Call Transfer Help
***** 0. Reset Test *****
***** 1. Uart Test *****
***** 2. Ethernet Test *****
***** 3. Analog Test *****
***** 4. OLED Test *****
***** 5. RTC Test *****
***** 6. F2 Memory Test *****
***** 7. SPI Test *****
***** 8. Switches/LEDs Test *****
***** 9. EEPROM Test *****
***** A. RS485 Test *****
***** B. AGL Memory Test *****

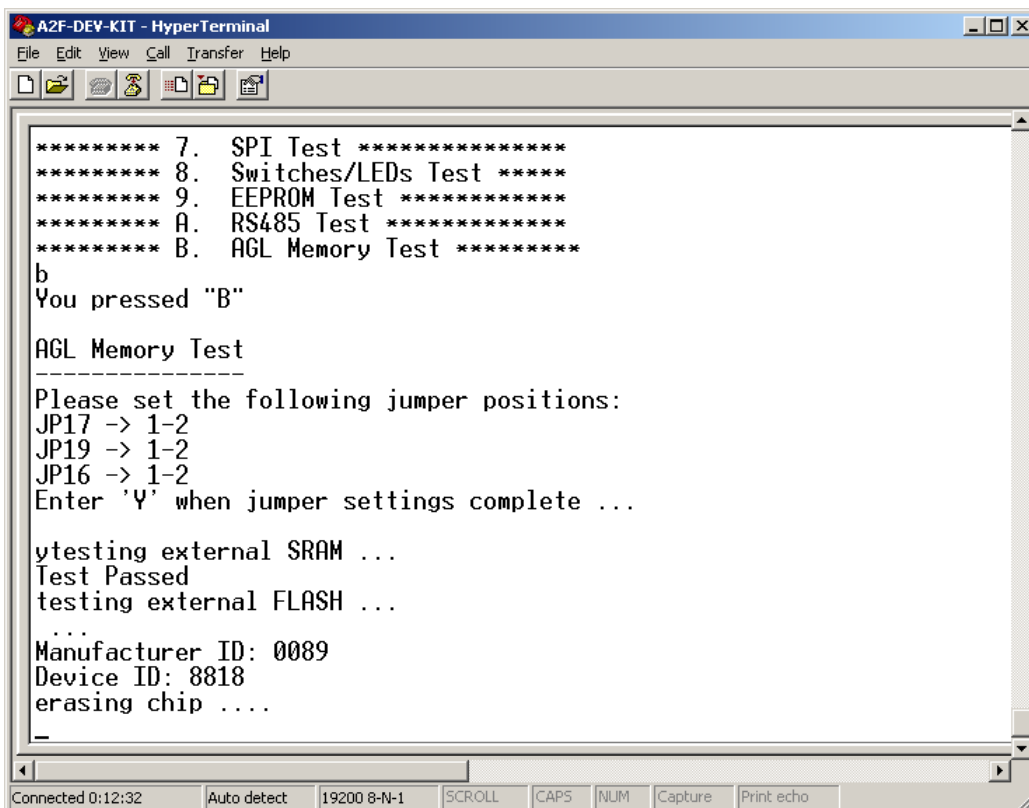
You pressed "B"

AGL Memory Test
-----
Please set the following jumper positions:
JP17 -> 1-2
JP19 -> 1-2
JP16 -> 1-2
Enter 'Y' when jumper settings complete ...

_

```

- When the jumpers are set, enter Y into the terminal. The display on the terminal should be similar to the following figure, and eventually [Figure 70](#), page 76.

Figure 69 • AGL Test – Erasing Chip


```

A2F-DEV-KIT - HyperTerminal
File Edit View Call Transfer Help
***** 7. SPI Test *****
***** 8. Switches/LEDs Test *****
***** 9. EEPROM Test *****
***** A. RS485 Test *****
***** B. AGL Memory Test *****

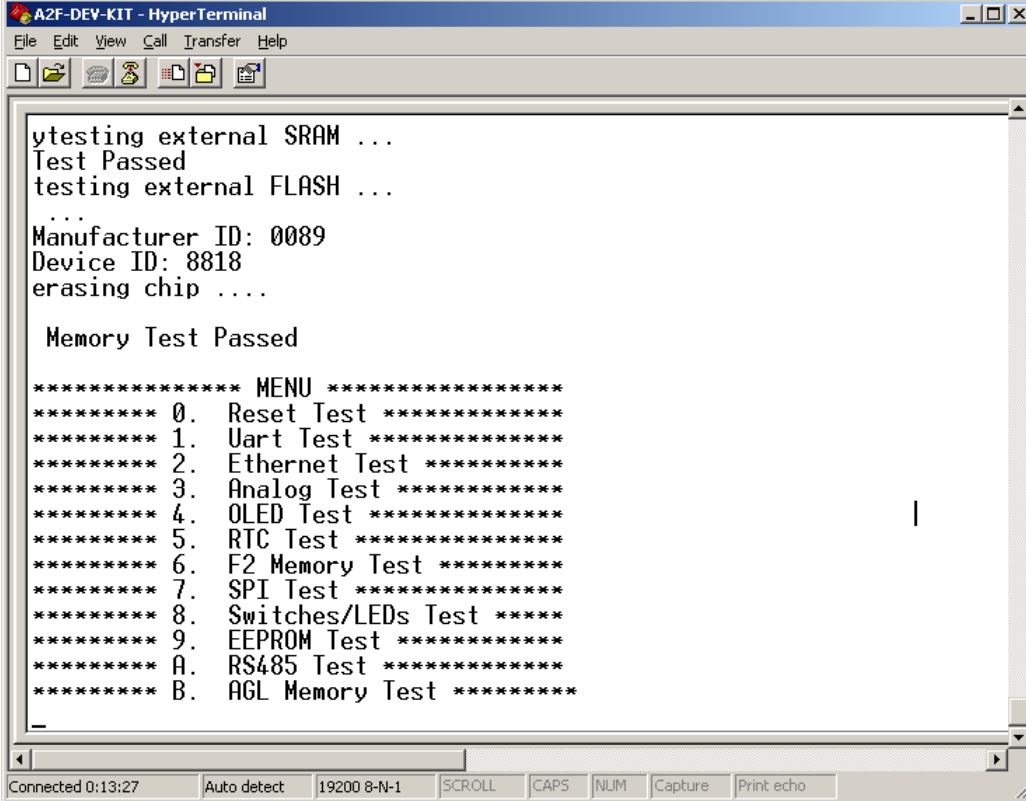
b
You pressed "B"

AGL Memory Test
-----
Please set the following jumper positions:
JP17 -> 1-2
JP19 -> 1-2
JP16 -> 1-2
Enter 'Y' when jumper settings complete ...

ytesting external SRAM ...
Test Passed
testing external FLASH ...
...
Manufacturer ID: 0089
Device ID: 8818
erasing chip ....

_

```

Figure 70 • AGL Test Passed


```

A2F-DEV-KIT - HyperTerminal
File Edit View Call Transfer Help

ytesting external SRAM ...
Test Passed
testing external FLASH ...
...
Manufacturer ID: 0089
Device ID: 8818
erasing chip ....

Memory Test Passed

***** MENU *****
***** 0. Reset Test *****
***** 1. Uart Test *****
***** 2. Ethernet Test *****
***** 3. Analog Test *****
***** 4. OLED Test *****
***** 5. RTC Test *****
***** 6. F2 Memory Test *****
***** 7. SPI Test *****
***** 8. Switches/LEDs Test *****
***** 9. EEPROM Test *****
***** A. RS485 Test *****
***** B. AGL Memory Test *****

Connected 0:13:27 Auto detect 19200 8-N-1 SCROLL CAPS NUM Capture Print echo

```

9.3 A2F-EVAL-KIT-2 Board Failures

All Tests outlined in [Running the A2F-EVAL-KIT-2 Board Test](#), page 54 should result in the words TEST PASSED being printed on the terminal. If this does not happen, or the words TEST FAILED are printed, the test has failed.

If the A2F-EVAL-KIT-2 board fails any of the tests outlined in [Running the A2F-EVAL-KIT-2 Board Test](#), page 54, the board being tested is not functional.