

SWINGHANDLE

208

ALL IN METAL



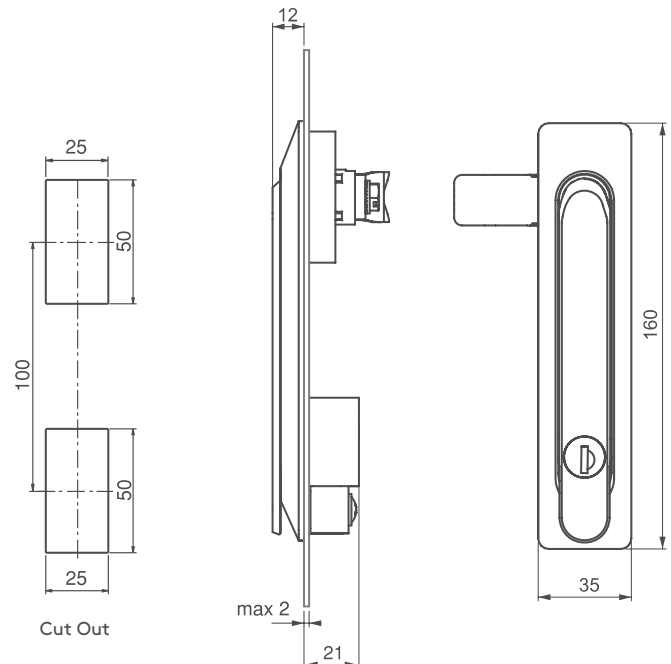
IP 65



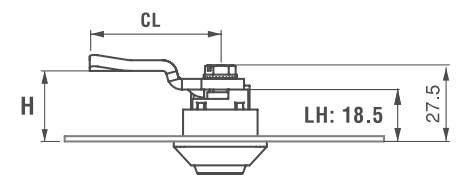
LH/RH



RoHS



Cut Out



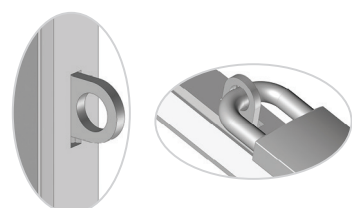
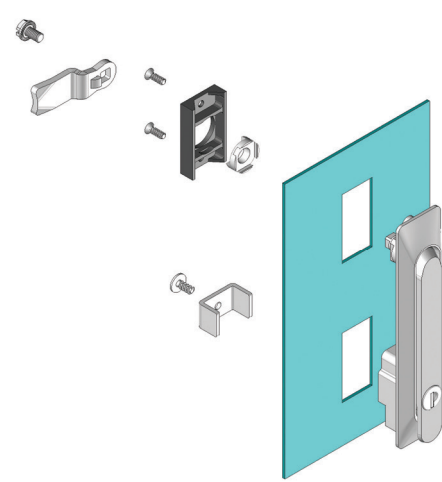
- All metal construction
- Stronger and better looking than polyamide
- Handle is not spring loaded and slam action
- Key can be removed at unlocked position

APPLICATIONS

Electric panels, machinery covers, rack cabinets

MATERIAL

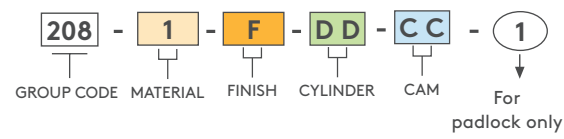
BODY: Zamak DIN-EN 1774-ZnAl4Cu1
HANDLE: Zamak DIN-EN 1774-ZnAl4Cu1
CAM: Steel or PA6 GFR 30
SEAL: Polyurethane



1

Padlock application

PRODUCT CODE



MATERIAL	M
Zamak	1

FINISH	F
Chrome	1
Black coated	2

CYLINDER	SPECIFICATIONS	DD
	Stainless steel dust cap (Keyed alike)	03
	Stainless steel dust cap (Keyed differ)	32
	Master system	04
	Euro key (5333)	05
	CH751 (Stainless steel dust cap)	07

For cams please check pages: 144 - 145
 For rods please check pages: 150- 161