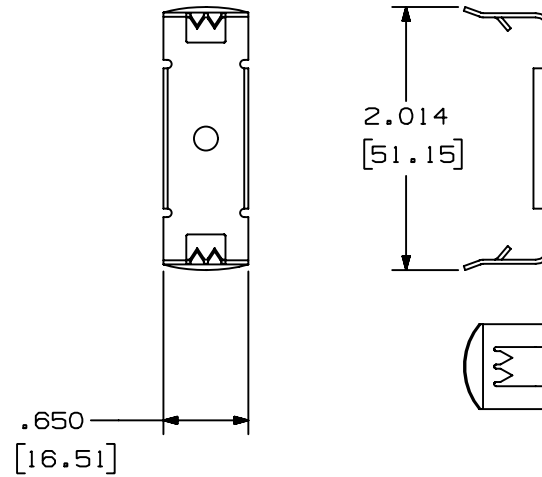


THIS COPY IS PROVIDED ON A RESTRICTED BASIS AND IS NOT TO BE USED IN ANY WAY DETRIMENTAL TO THE INTERESTS OF PANDUIT CORP.



NOTE.
 1. ALL DIMENSIONS ARE REFERENCE ONLY.
 2. DIMENSIONS IN PARENTHESES ARE METRIC.

					CAD FILENAME/LAYERS		S1.5F(36897-857)_01.prt		
					PANDUIT CORP. TINLEY PARK, ILLINOIS WIRING DUCT - TYPE F DUCT SNAP CLIP (S1.5F) MARKETING DRAWING				
1	6-16-05	JCST	MKBE	B. ADDED NOTES A. CHANGED MATERIAL	DRAWN BY JHNU	MAT'L: #21 Gage C.R.S.		SCALE FULL	
R	8-28-03	JHNU	JGG	DRAWING RELEASED	DATE 8-28-03			DRAWING NO. 36897-857	DWG A SIZE
REV	DATE	BY	CHK	DESCRIPTION	CHK'D JGG				