

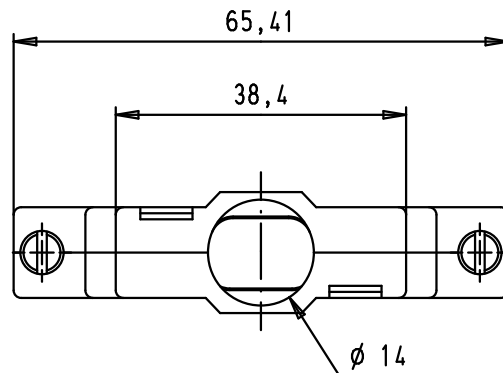
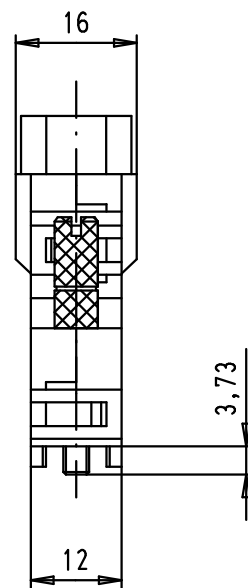
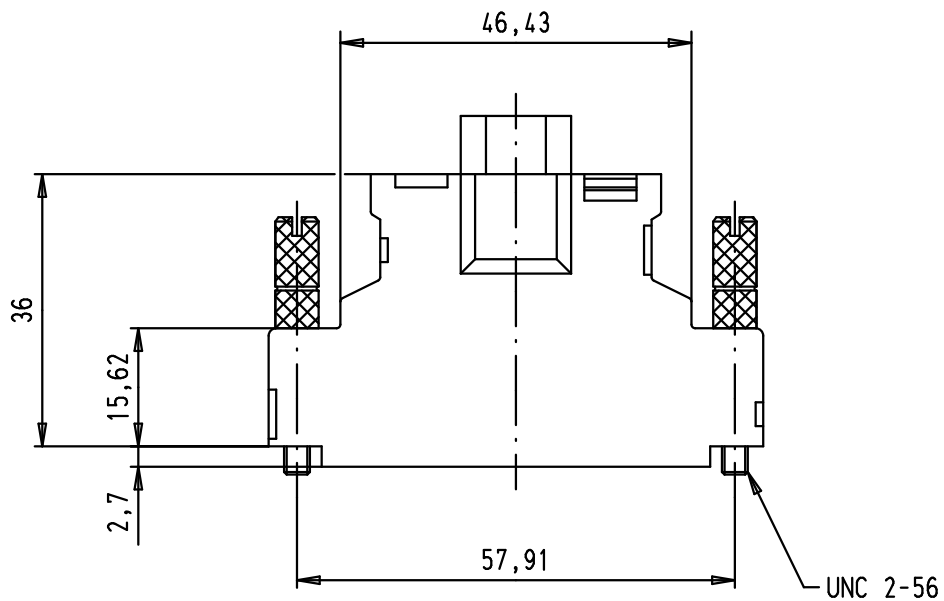
5 4 3 2 1

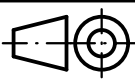

D

C

B

A



				Dat.	Name	 All Dim. in mm Orig. Size DIN A 4	Har-mik Plastic hood with metal insert for IDC pin/socket connector with 2-56 UNC jack screws	Maßstab/ Scale 1:1
			Detail.	04/08/06	PK			
			Insp.					
			Stand.					
35278	28/08/08	PK	HARTING EURL F-95972 Paris				TB 60 03 068 0143	Blatt/ Page 1 / 1
33790	04/08/06	PK						
Mod.	Dat.	Name						