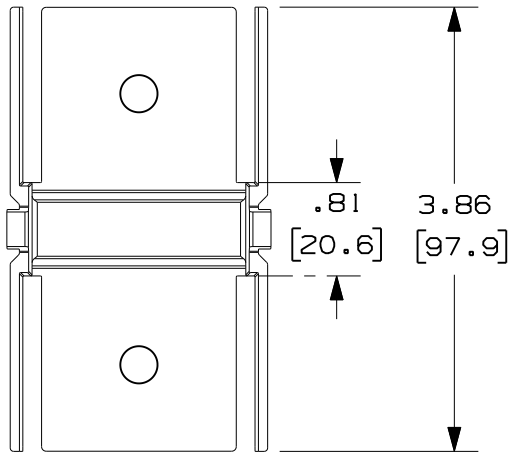


THIS COPY IS PROVIDED ON A RESTRICTED BASIS AND IS NOT TO BE USED IN ANY WAY DETRIMENTAL TO THE INTERESTS OF PANDUIT CORP.

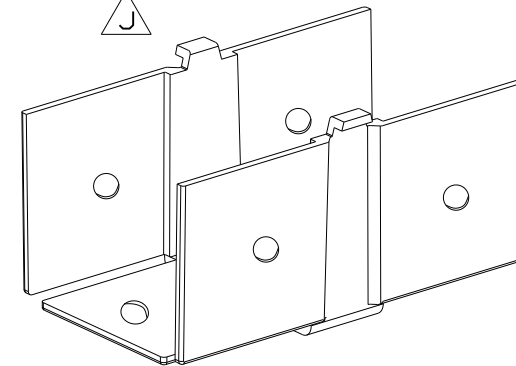
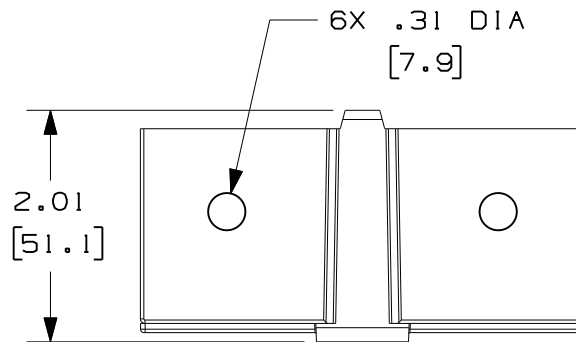
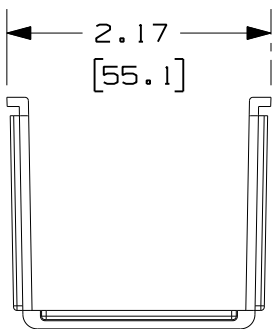


PANDUIT PART NUMBER	WEIGHT
FCF2X2	0.07 LB/EACH (32g/EACH)



NOTES:

1. SEE CURRENT CATALOG FOR ADDITIONAL PART SUFFIXES TO INDICATE COLOR AND/OR PACKAGE QUANTITY.
2. DIMENSIONS IN PARENTHESIS ARE IN METRIC.



ENG. REF.: D35245CA_DC_FCF2X2_04.PRT



CAD FILENAME/LAYERS

FCF2X2.pdf

PANDUIT CORP. TINLEY PARK, ILLINOIS
 FIBER-DUCT 2X2 COUPLER (FCF2X2)
 CUSTOMER DRAWING

REV	DATE	BY	CHK	DESCRIPTION	ECN	R	CUST	SUP
-	----	--	--	L. REVISED GENERAL NOTES	----	--	--	
-	----	--	--	K. REVISED CHART J. REVISED PART GEOMETRY	----	--	--	
-	----	--	--	I. REVISED DRAWING TITLE H. REVISED CAD FILENAME	----	--	--	
4	6-16-06	MSO	RN	G. REV'D DWG. TO CUR. STAND. F. REVISED AND REDRAWN	35245-27	RN	RN	

UNLESS OTHERWISE SPECIFIED, DIMENSIONAL TOLERANCES ARE: (.X) ± (.XXX) ± (.XX) ± .03 (.8) ANGLES ±	UNLESS OTHERWISE SPECIFIED, ALL DIMENSIONS ARE GIVEN IN INCHES, THIRD ANGLE PROJECTION.
DRAWN BY: RCA	MAT'L: SEE NOTES ABOVE
DATE: 1-17-97	
CHK'D: CEF	

SCALE: NONE
DRAWING NO.: 35245-27
DWG SIZE: A