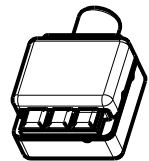
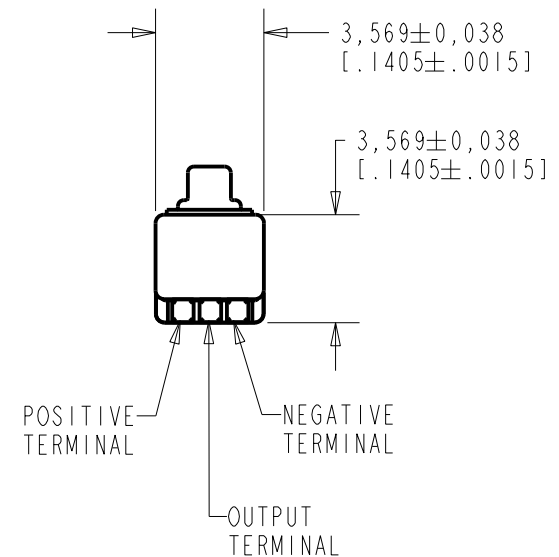
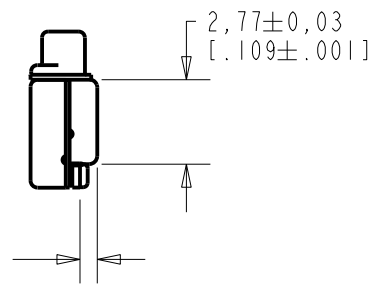
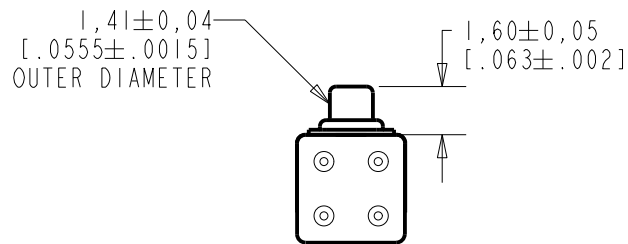
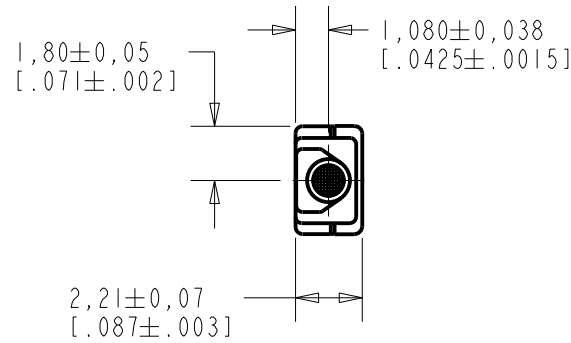


EM-26371-C68

SHT 1.1

NOTE:

1. INCREASED PRESSURE AT SOUND INLET CAUSES A POSITIVE GOING VOLTAGE TO APPEAR AT THE OUTPUT TERMINAL, RELATIVE TO THE NEGATIVE TERMINAL.



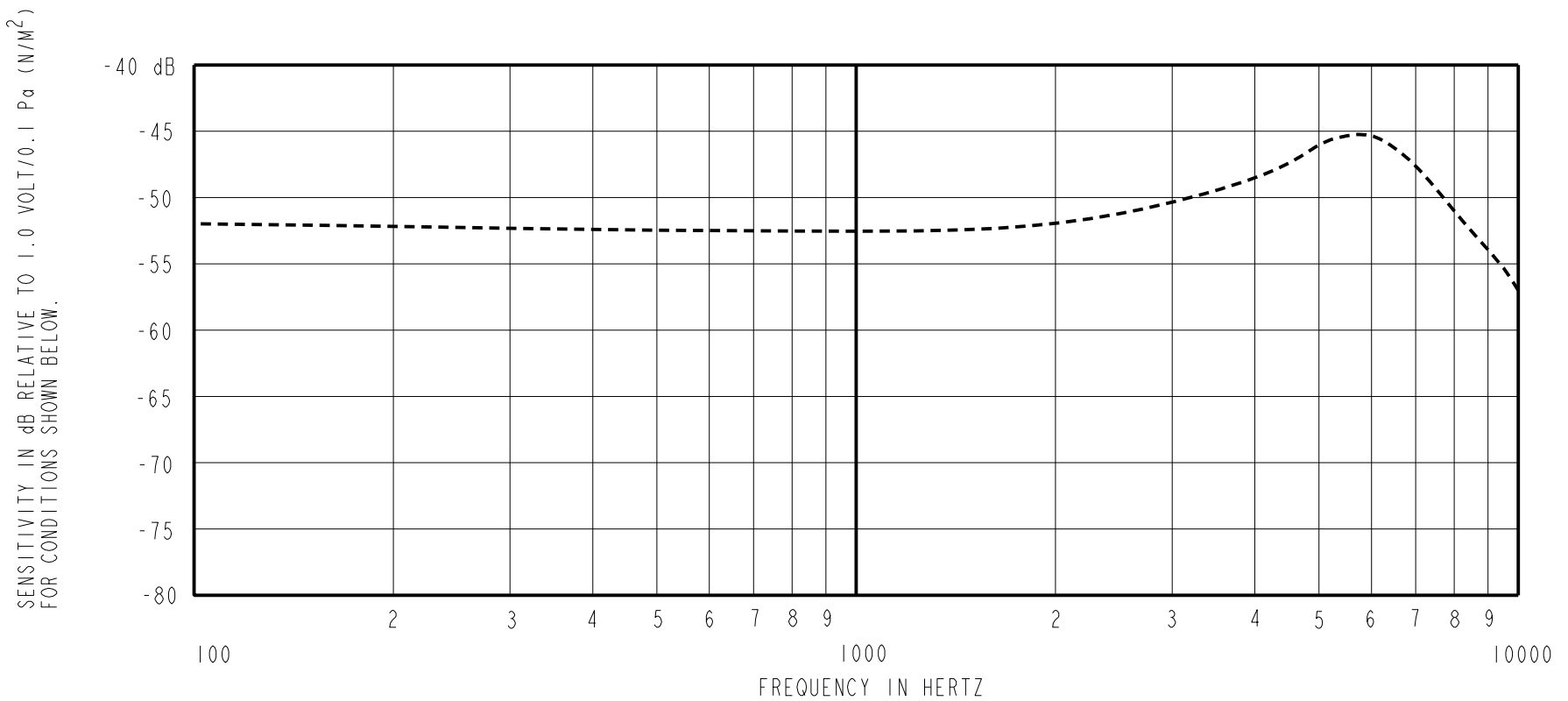
NOMINAL WEIGHT
.08 GRAM

DIMENSIONS IN MILLIMETERS [INCHES]

Revision	C.O. #	Implementation Date	RELEASE LEVEL	REVISION
F	MI0104420	12-9-11	Active	F
E	MI0103579	3-22-10		
D	MI0102035	7-7-08		

SCALE: 4:1		DR. BY MMM	DATE 12-28-05
DO NOT SCALE DRAWING			
TITLE: MICROPHONE		GJP 1-2-06	
EM-26371-C68		APP. BY GJP	
OUTLINE DRAWING		DATE 1-2-06	
SHT 1.1		Rev: B	

KNOWLES ELECTRONICS
ITASCA, ILLINOIS U.S.A.



FREQUENCY	SENSITIVITY			DEVICE CONFORMITY	
	MIN.	NOM.	MAX.	RANGE OF DEVIATION FROM 1KHz	
100	---	-52.0	---	-3.0	+1.0
1000	-55.0	-52.0	-49.0	0.0	0.0
≈5500	---	-45.0	---	+4.0	+10.0

- NOTES: 1. CASE CONNECTED TO NEGATIVE TERMINAL.
 2. MICROPHONE TO BE FUNCTIONAL WITH 1.6 VDC SUPPLY.
 3. TYPICAL SENSITIVITY TO HUMIDITY AT 1000Hz IS 0.03 dB/%RH
 4. SENSITIVITY AND NOISE VALUES INDICATED ON THIS SPECIFICATION ARE VALID AT 50% HUMIDITY.

PORT LOCATION	DC SUPPLY	AMPLIFIER CURRENT DRAIN	SENSITIVITY CHANGE ON REDUCING SUPPLY TO 0.9VDC	"A" WEIGHTED NOISE (1 kHz EQUIV. SPL)	OUTPUT IMPEDANCE OHMS		
					MIN.	NOM.	MAX.
12S	1.3V	50 μA MAX.	3 dB MAX.	28.0 dB MAX.	4950	5500	6050

Revision	C.O. #	Implementation Date	RELEASE LEVEL	REVISION
F	M10104420	12-9-11	Active	F
E	M10103579	3-22-10		
D	M10102035	7-7-08		

WHEN TEST LIMITS ARE USED TO ESTABLISH INCOMING INSPECTION ACCEPTANCE/REJECTION CRITERIA, CORRELATION OF TEST EQUIPMENT WITH KNOWLES IS ALSO REQUIRED FOR ELIMINATION OF EQUIPMENT AND TEST METHOD VARIATION		DR. BY	DATE
		MMM	12-28-05
		CK. BY	DATE
		GJP	1-2-06
		APP. BY	DATE
		GJP	1-2-06

TITLE:	MICROPHONE	EM-26371-C68
	PERFORMANCE SPECIFICATION	SHT 2.1

KNOWLES ELECTRONICS
ITASCA, ILLINOIS U.S.A.