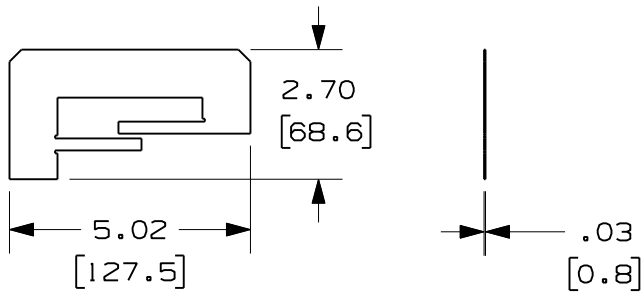
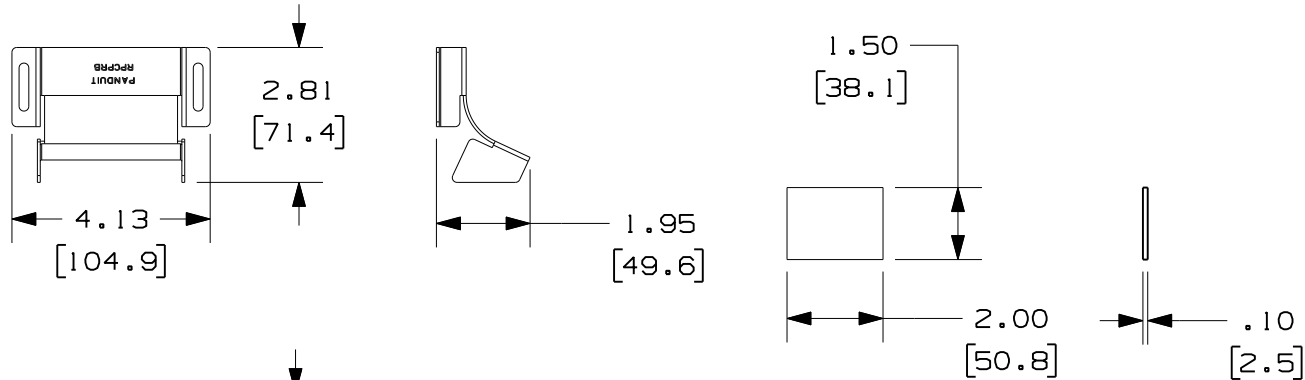
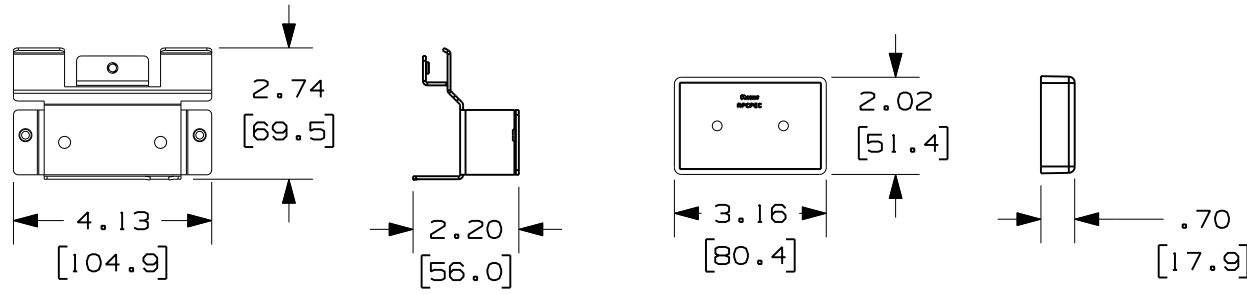


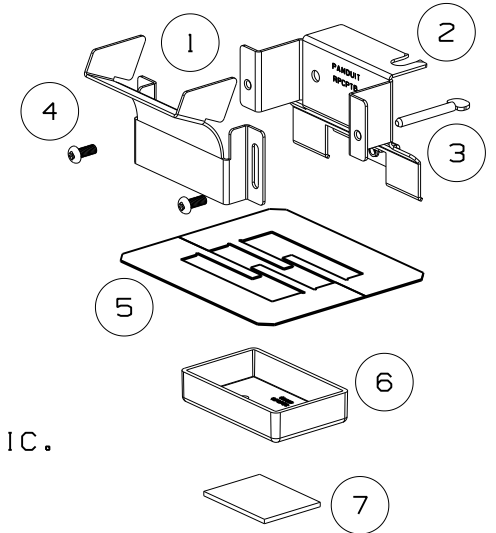
THIS COPY IS PROVIDED ON A RESTRICTED BASIS AND IS NOT TO BE USED IN ANY WAY DETRIMENTAL TO THE INTERESTS OF PANDUIT CORP.

PARTS LIST		
TAG	PANDUIT P/N	QTY.
①	RPCPRB	1
②	RPCPTB	1
③	36844-18	2
④	37043-05	2
⑤	RPCPCC	2
⑥	RPCPEC	1
⑦	RPCPVP (VELCRO PAD)	1



NOTES:

1. DIMENSIONS IN PARENTHESIS ARE IN METRIC.



CAD FILENAME/LAYERS D37043BJ_DC_PCPKIT/01A

PANDUIT CORP. TINLEY PARK, ILLINOIS
 POWER POLE HARDWARE KIT (PCPKIT)
 CUSTOMER DRAWING

UNLESS OTHERWISE SPECIFIED,
 DIMENSIONAL TOLERANCES ARE:
 (.X) ± (.XXX) ±
 (.XX) ± .03 (.8) ANGLES ±

UNLESS OTHERWISE SPECIFIED,
 ALL DIMENSIONS ARE GIVEN
 IN INCHES, THIRD ANGLE PROJECTION.

REV	DATE	BY	CHK	DESCRIPTION	ECN	R	CUST	SUP
I	08-28-08	BDK	JBN	B. REVISED PART QUANTITY: 2 WAS 1 A. REVISED PART NUMBER: RPCPCC WAS RPCPCP	37043-10	RTF	RTF	
R	05-15-01	JBN	MKBE	RELEASED TO PRODUCTION	37043-10	HIW	HIW	

DRAWN BY JBN	MAT'L: STEEL & PVC	SCALE NONE
DATE 05-15-01		DRAWING NO. 37043-10
CHK'D MKBE		DWG A SIZE