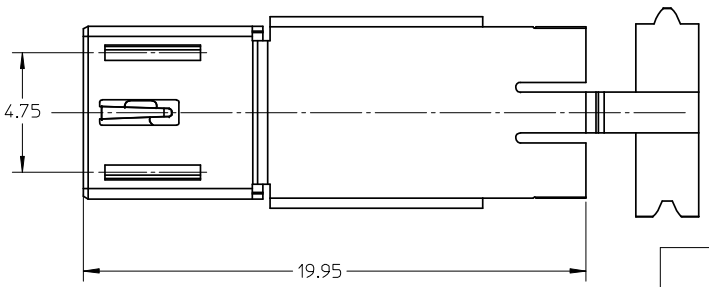
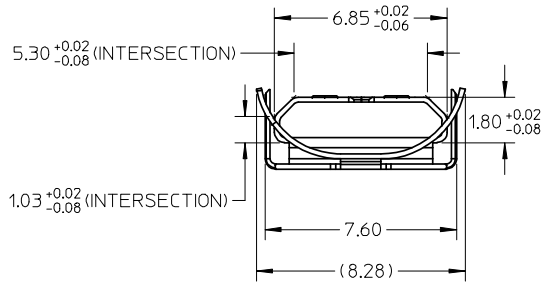
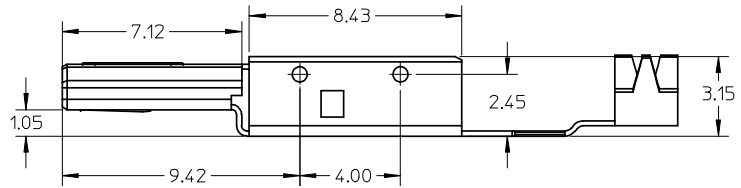
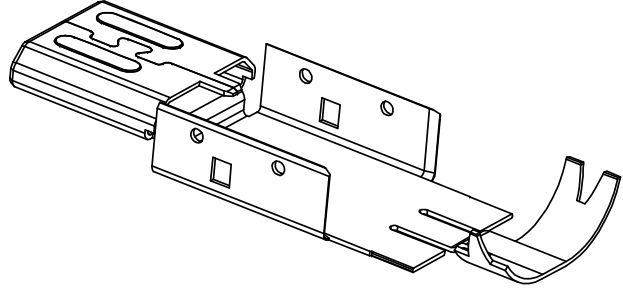
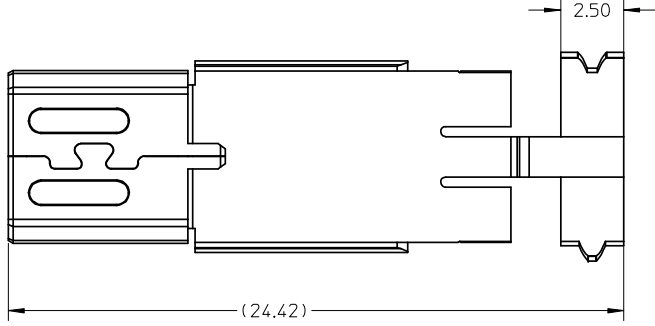


10 9 8 7 6 5 4 3 2 1



NOTES:
 1. MATERIAL: STAINLESS STEEL
 2. FINISH: CLEANING

RELEASED EC NO: SHZ008-0513 DRWN: YWANG91 CHKD: YLZHU APPR: HWANG	DESCRIPTION 2008/04/17 2008/04/17 2008/04/22	QUALITY SYMBOLS	GENERAL TOLERANCES (UNLESS SPECIFIED)		DIMENSION STYLE	SCALE	DESIGN UNITS	THIRD ANGLE PROJECTION	
		$\nabla=0$ $\nabla C=0$	mm	INCH	MM ONLY	5:1	METRIC		
		4 PLACES	± ---	± ---	DRAWN BY	DATE	TITLE		
		3 PLACES	± ---	± ---	YWANG	2008/01/23	SHELL MICRO USB PLUG B TYPE		
		2 PLACES	± 0.10	± ---	CHECKED BY	DATE			
		1 PLACE	± ---	± ---	YLZHU	2008/01/23	MOLEX INCORPORATED		
		ANGULAR ± 2 °		APPROVED BY	DATE				
		DRAFT WHERE APPLICABLE MUST REMAIN WITHIN DIMENSIONS		MATERIAL NO.	475160013	DOCUMENT NO.	SD-47516-003	SHEET NO. 1 OF 1	
		SIZE	THIS DRAWING CONTAINS INFORMATION THAT IS PROPRIETARY TO MOLEX INCORPORATED AND SHOULD NOT BE USED WITHOUT WRITTEN PERMISSION						
		A3							

9 8 7 6 5 4 3 2 1