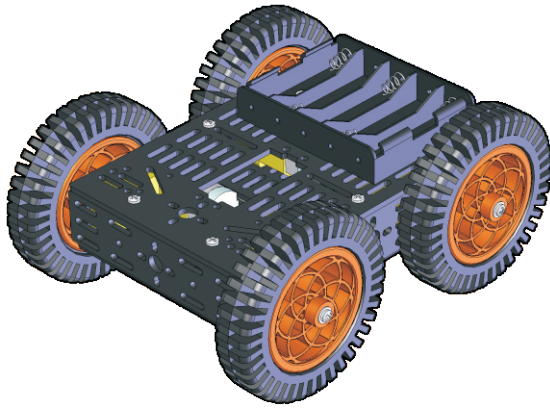
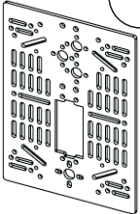
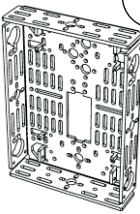
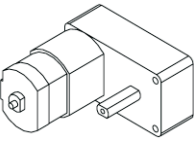

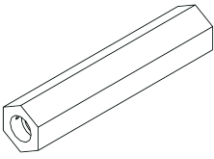
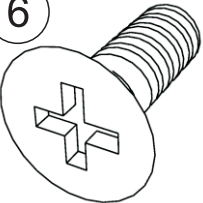
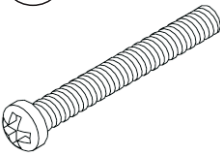
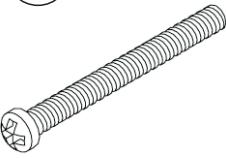
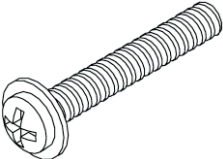
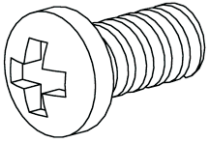
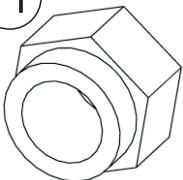
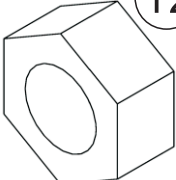
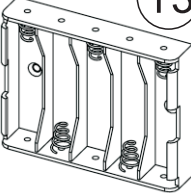
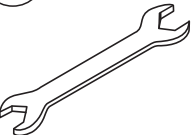
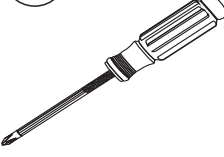


DG012-ATV Multi chassis_4WD kit (ATV version)

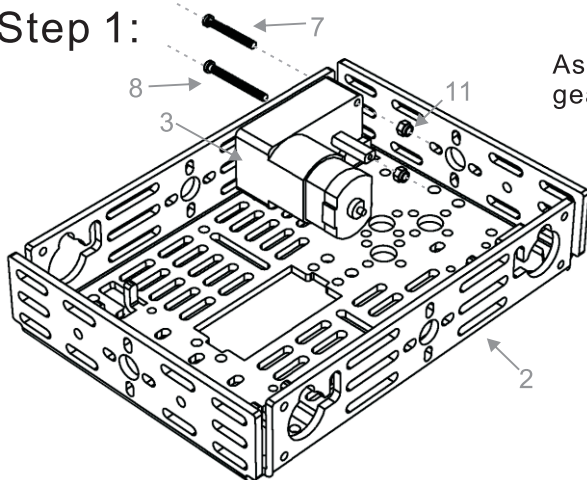


Parts list:

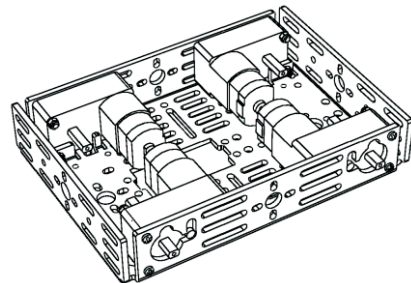
 <p>1 Aluminum chassis top 1pc</p>	 <p>2 Aluminum chassis bottom 1pc</p>	 <p>3 DC motor 4pcs</p>	 <p>4 Racing wheel 4pcs</p>	 <p>5 Distance holder M3*25 4pcs</p>
 <p>6 M3*8 flat-head screw 6pcs</p>	 <p>7 M2.5*20 screw 4pcs</p>	 <p>8 M2.5*25 screw 4pcs</p>	 <p>9 M3*22 screw with flange 4pcs</p>	 <p>10 M3*8 screw 8pcs</p>
 <p>11 M2.5 nylon nut 8pcs</p>	 <p>12 M3 nut 2pcs</p>	 <p>13 5*AA battery holder 1pc</p>	 <p>14 Spanner (M2.5 & M4) 1pc (M2 & M3) 1pc</p>	 <p>15 Screw driver 1pc</p>

Assembly Instructions:

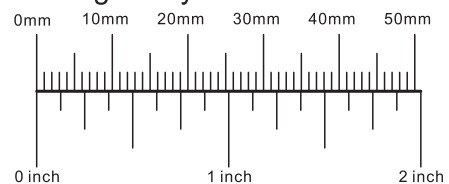
Step 1:



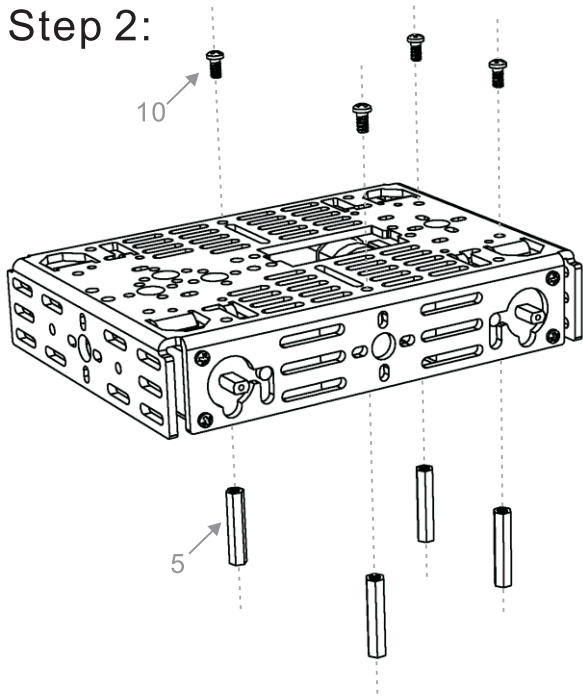
Assembly the gear box 4pcs



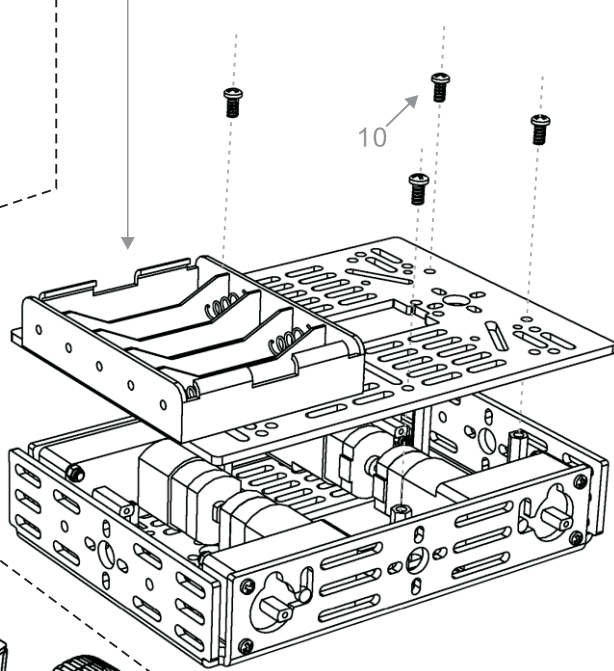
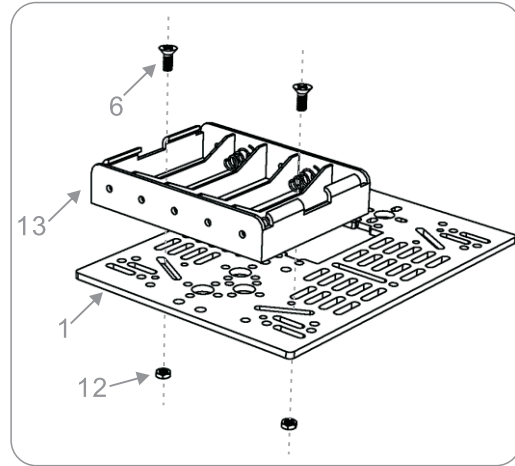
Use the ruler to check the length of your screws .



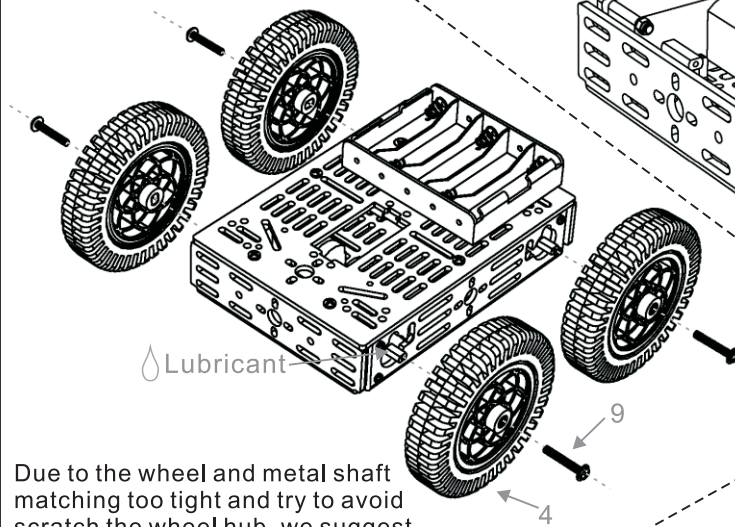
Step 2:



Step 3:

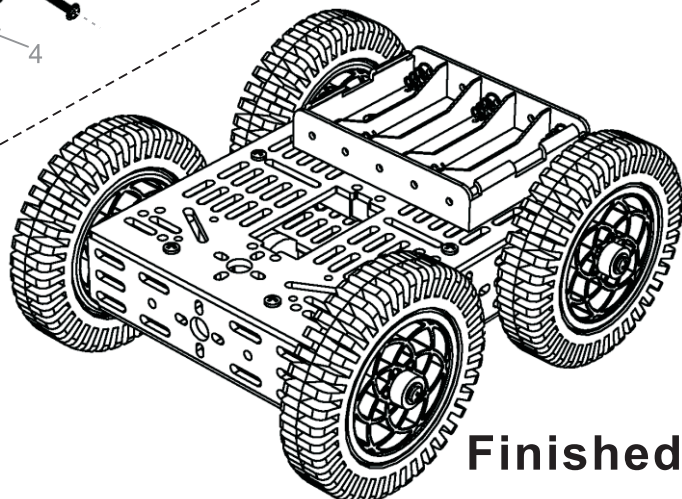


Step 4:

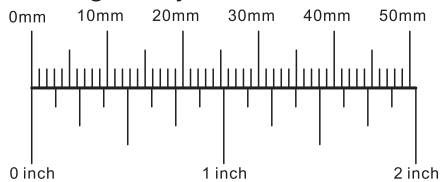


Lubricant

Due to the wheel and metal shaft matching too tight and try to avoid scratch the wheel hub, we suggest to apply some lubricate on the metal shaft.



Use the ruler to check the length of your screws .



Finished