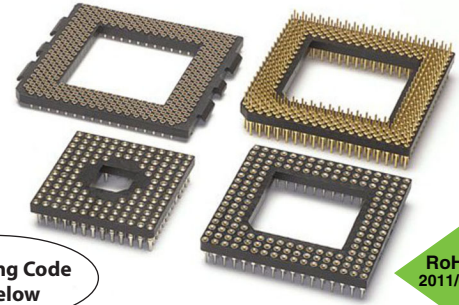


# PIN GRID ARRAY SOCKETS

**SERIES 510, 511, 513, 514, 515, 518, 522, 523 • 2,54 AND INTERSTITIAL GRID • SURFACE MOUNT, THROUGH-HOLE AND WIREWRAP**

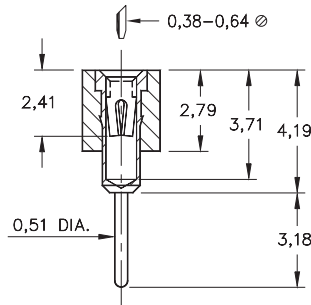
- Series 510, 511, 514, 515, 522 and 523 PGA sockets are available on 2,54 centers
- Series 513 and 518 PGA sockets are available for Interstitial patterns
- Choice of three low force clips to cover all applications
- High temperature PCT polyester insulator material suitable for all forms of soldering including lead-free
- For Electrical, Mechanical and Environmental Data, see page 137 for details



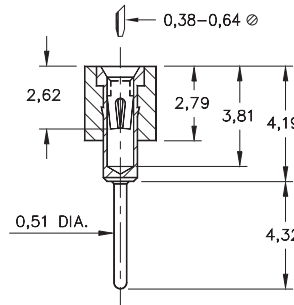
XX=Plating Code  
See Below

RoHS-2  
2011/65/EU

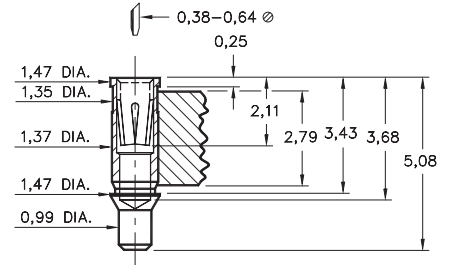
## SERIES 510 (Standard Solder Tail)



## SERIES 511 (Long Solder Tail)

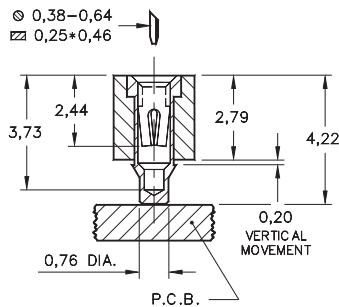


## SERIES 513 (SMT Receptacle)

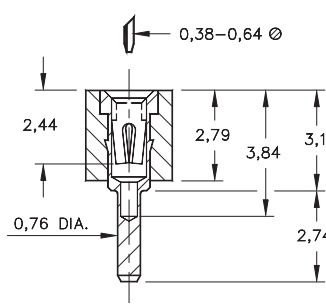


Interstitial Patterns Only

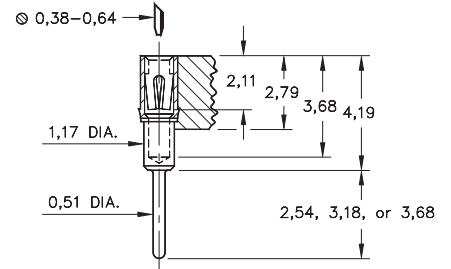
## SERIES 514 (SMT Receptacle)



## SERIES 515 (Low Profile Solder Tail)

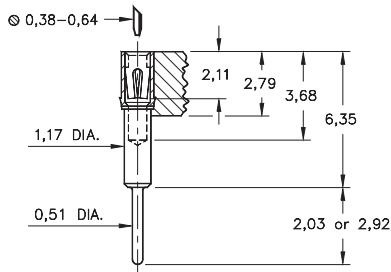


## SERIES 518 (Solder Tail No, Heatsink Tabs)



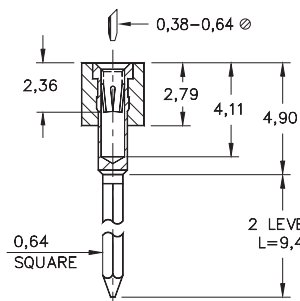
Interstitial Patterns Only

## SERIES 518 (Solder Tail w/ Heatsink Tabs)

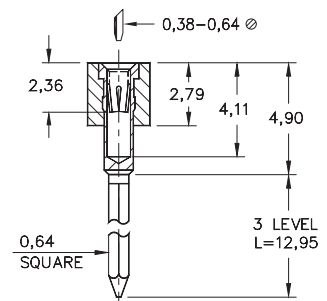


Interstitial Patterns Only

## SERIES 522 (2 Level Wrapost)



## SERIES 523 (3 Level Wrapost)



Visit [www.mill-max.com/pga](http://www.mill-max.com/pga) to configure a formal part number

SPECIFY PLATING CODE XX=	13	91	93	99	43
Sleeve (Pin)	0,25µm Au	5,08µm Sn/Pb	5,08µm Sn/Pb	5,08µm Sn/Pb	5,08µm Sn
Contact (Clip)	0,76µm Au	0,25µm Au	0,76µm Au	2,54µm Sn/Pb	0,76µm Au

