

PART NUMBER CODING
SBH31-NBPB-D__-RA__

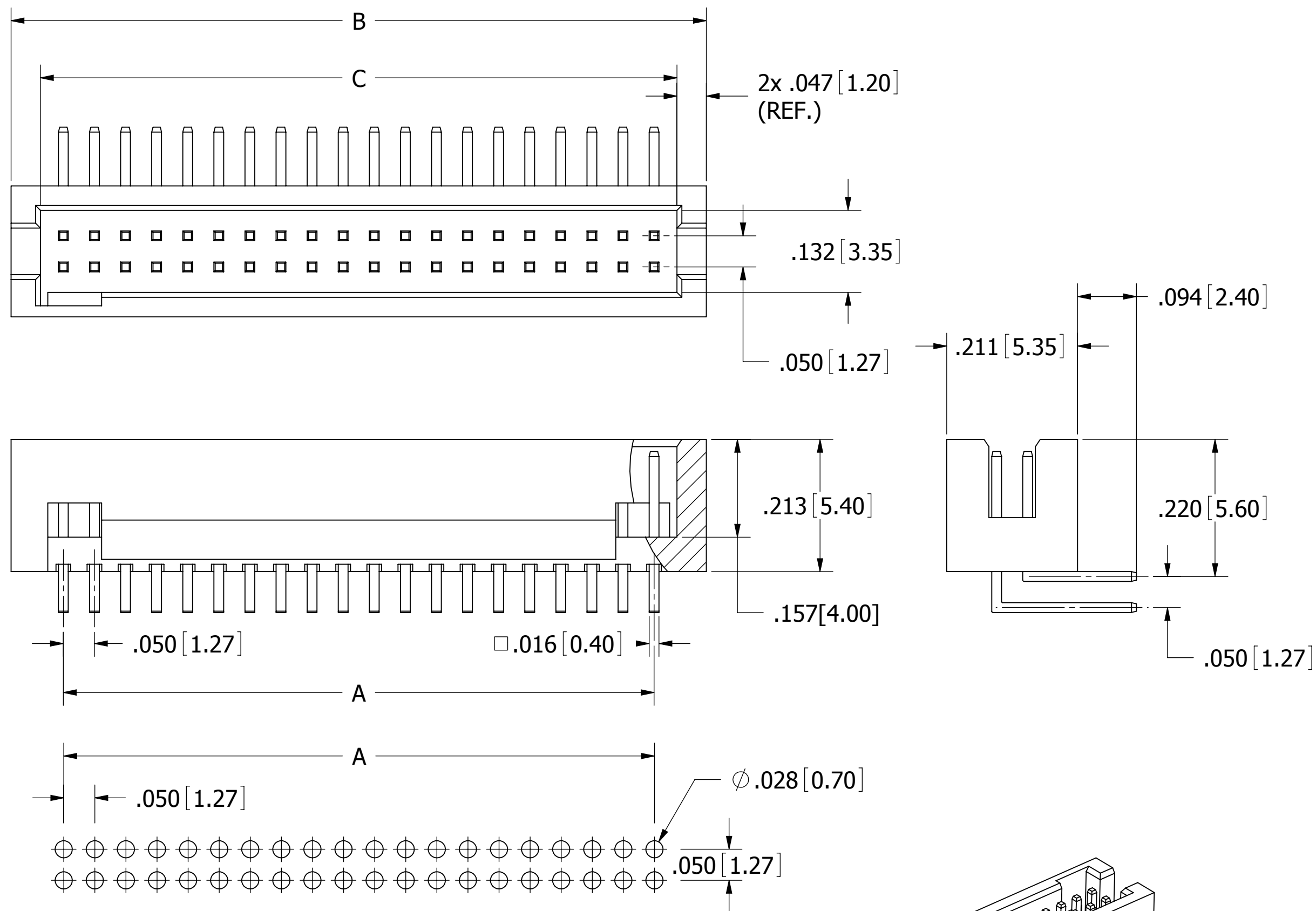
NUMBER OF POSITIONS
(CONTACTS PER ROW)

COLOR
BK= BLACK
YE= YELLOW
RE= RED
BL= BLUE
GR= GREEN
GY= GREY
WH= WHITE
OR= ORANGE

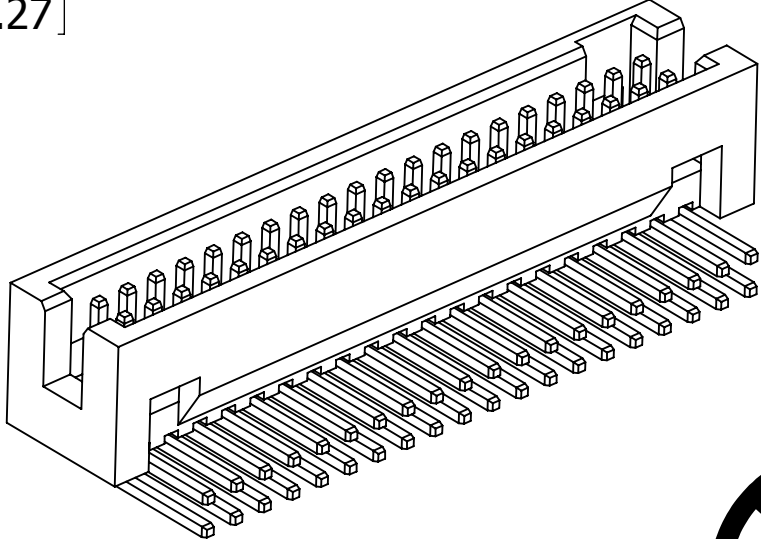
TERMINATION
RIGHT ANGLE

REVISIONS				
REV.	ECO. NO	DESCRIPTION	DATE	BY
A	1682	INITIAL RELEASE	05/19/2008	VJ
B	1852	UPDATE DIM "C", TABLE, NOTE 3 & TOLERANCE BLOCK	11/13/2008	JH
C	2106	ADD BOX INSIDE DEPTH 4.0mm, NOTE 10, MATED COMPONENTS & HEIGHT ON SHEET 2 & UPDATE AVAILABLE POSITION NUMBERS.	04/22/2010	LH

PART NUMBER	POSITIONS/ CONTACTS	A		B		C	
		INCH	MM	INCH	MM	INCH	MM
SBH31-NBPB-D03-RA__	03/06	0.100	2.54	0.268	6.81	0.174	4.41
SBH31-NBPB-D04-RA__	04/08	0.150	3.81	0.318	8.08	0.224	5.68
SBH31-NBPB-D05-RA__	05/10	0.200	5.08	0.368	9.35	0.274	6.95
SBH31-NBPB-D06-RA__	06/12	0.250	6.35	0.418	10.62	0.324	8.22
SBH31-NBPB-D07-RA__	07/14	0.300	7.62	0.468	11.89	0.374	9.49
SBH31-NBPB-D08-RA__	08/16	0.350	8.89	0.518	13.16	0.424	10.76
SBH31-NBPB-D09-RA__	09/18	0.400	10.16	0.568	14.43	0.474	12.03
SBH31-NBPB-D10-RA__	10/20	0.450	11.43	0.618	15.70	0.524	13.30
SBH31-NBPB-D11-RA__	11/22	0.500	12.70	0.668	16.97	0.574	14.57
SBH31-NBPB-D12-RA__	12/24	0.550	13.97	0.718	18.24	0.624	15.84
SBH31-NBPB-D13-RA__	13/26	0.600	15.24	0.768	19.51	0.674	17.11
SBH31-NBPB-D14-RA__	14/28	0.650	16.51	0.818	20.78	0.724	18.38
SBH31-NBPB-D15-RA__	15/30	0.700	17.78	0.868	22.05	0.774	19.65
SBH31-NBPB-D16-RA__	16/32	0.750	19.05	0.918	23.32	0.824	20.92
SBH31-NBPB-D17-RA__	17/34	0.800	20.32	0.968	24.59	0.874	22.19
SBH31-NBPB-D18-RA__	18/36	0.850	21.59	1.018	25.86	0.924	23.46
SBH31-NBPB-D19-RA__	19/38	0.900	22.86	1.068	27.13	0.974	24.73
SBH31-NBPB-D20-RA__	20/40	0.950	24.13	1.118	28.40	1.024	26.00
SBH31-NBPB-D21-RA__	21/42	1.000	25.40	1.168	29.67	1.074	27.27
SBH31-NBPB-D22-RA__	22/44	1.050	26.67	1.218	30.94	1.124	28.54
SBH31-NBPB-D23-RA__	23/46	1.100	27.94	1.268	32.21	1.174	29.81
SBH31-NBPB-D24-RA__	24/48	1.150	29.21	1.318	33.48	1.224	31.08
SBH31-NBPB-D25-RA__	25/50	1.200	30.48	1.368	34.75	1.274	32.35
SBH31-NBPB-D26-RA__	26/52	1.250	31.75	1.418	36.02	1.324	33.62
SBH31-NBPB-D27-RA__	27/54	1.300	33.02	1.468	37.29	1.374	34.89
SBH31-NBPB-D28-RA__	28/56	1.350	34.29	1.518	38.56	1.424	36.16
SBH31-NBPB-D29-RA__	29/58	1.400	35.56	1.568	39.83	1.474	37.43
SBH31-NBPB-D30-RA__	30/60	1.450	36.83	1.618	41.10	1.524	38.70
SBH31-NBPB-D31-RA__	31/62	1.500	38.10	1.668	42.37	1.574	39.97
SBH31-NBPB-D32-RA__	32/64	1.550	39.37	1.718	43.64	1.624	41.24
SBH31-NBPB-D33-RA__	33/66	1.600	40.64	1.768	44.91	1.674	42.51
SBH31-NBPB-D34-RA__	34/68	1.650	41.91	1.818	46.18	1.724	43.78
SBH31-NBPB-D35-RA__	35/70	1.700	43.18	1.868	47.45	1.774	45.05
SBH31-NBPB-D36-RA__	36/72	1.750	44.45	1.918	48.72	1.824	46.32
SBH31-NBPB-D37-RA__	37/74	1.800	45.72	1.968	49.99	1.874	47.59
SBH31-NBPB-D38-RA__	38/76	1.850	46.99	2.018	51.26	1.924	48.86
SBH31-NBPB-D39-RA__	39/78	1.900	48.26	2.068	52.53	1.974	50.13
SBH31-NBPB-D40-RA__	40/80	1.950	49.53	2.118	53.80	2.024	51.40
SBH31-NBPB-D41-RA__	41/82	2.000	50.80	2.168	55.07	2.074	52.67
SBH31-NBPB-D42-RA__	42/84	2.050	52.07	2.218	56.34	2.124	53.94
SBH31-NBPB-D43-RA__	43/86	2.100	53.34	2.268	57.61	2.174	55.21
SBH31-NBPB-D44-RA__	44/88	2.150	54.61	2.318	58.88	2.224	56.48
SBH31-NBPB-D45-RA__	45/90	2.200	55.88	2.368	60.15	2.274	57.75
SBH31-NBPB-D46-RA__	46/92	2.250	57.15	2.418	61.42	2.324	59.02
SBH31-NBPB-D47-RA__	47/94	2.300	58.42	2.468	62.69	2.374	60.29
SBH31-NBPB-D48-RA__	48/96	2.350	59.69	2.518	63.96	2.424	61.56
SBH31-NBPB-D49-RA__	49/98	2.400	60.96	2.568	65.23	2.474	62.83
SBH31-NBPB-D50-RA__	50/100	2.450	62.23	2.618	66.50	2.524	64.10



RECOMMENDED PCB LAYOUT



- NOTES:**
- INSULATOR MATERIAL: NYLON 6T, UL 94V-0. COLOR: SEE PART NUMBER CODING.
 - CONTACT MATERIAL: BRASS.
 - CONTACT PLATING: GOLD FLASH OVERALL.
 - OPERATING TEMPERATURE: -40° C TO + 85° C.
 - PROCESSING TEMP.: 230° C FOR 60 SECONDS MAX. (260° C, 10 SEC.)
 - CONTACT RESISTANCE: 20 MILLIOHMS MAX.
 - CURRENT RATING: 1 AMP PER CONTACT.
 - DIELECTRIC WITHSTANDING: 500 V AC.
 - INSULATOR RESISTANCE: 1000 MEGOHMS MIN.
 - MATES WITH SFH31 FEMALE HEADER SERIES.



UNLESS OTHERWISE SPECIFIED:
DIMENSIONS ARE IN INCHES[MM]
TOLERANCES:
ANGULAR: ± 1°
.XX=± .012 [0.30]
.XXX=± .008 [0.20]
.XXXX=± .0004 [0.10]
SURFACE FINISH: 63 Rc
REMOVE ALL BURRS AND SHARP EDGES .010 MAX

INTERPRET DIMENSIONS AND GEOMETRIC TOLERANCING PER: ANSI Y14.5M-1994

DATE	NAME
04/22/2010	LH

THE INFORMATION HEREIN CONTAINS PROPRIETARY INFORMATION OF SULLINS ELECTRONICS AND IS NOT TO BE REPRODUCED, USED OR DISCLOSED TO OTHERS FOR ANY PURPOSE EXCEPT AS SPECIFICALLY AUTHORIZED IN WRITING BY AN OFFICER OF SULLINS ELECTRONICS.

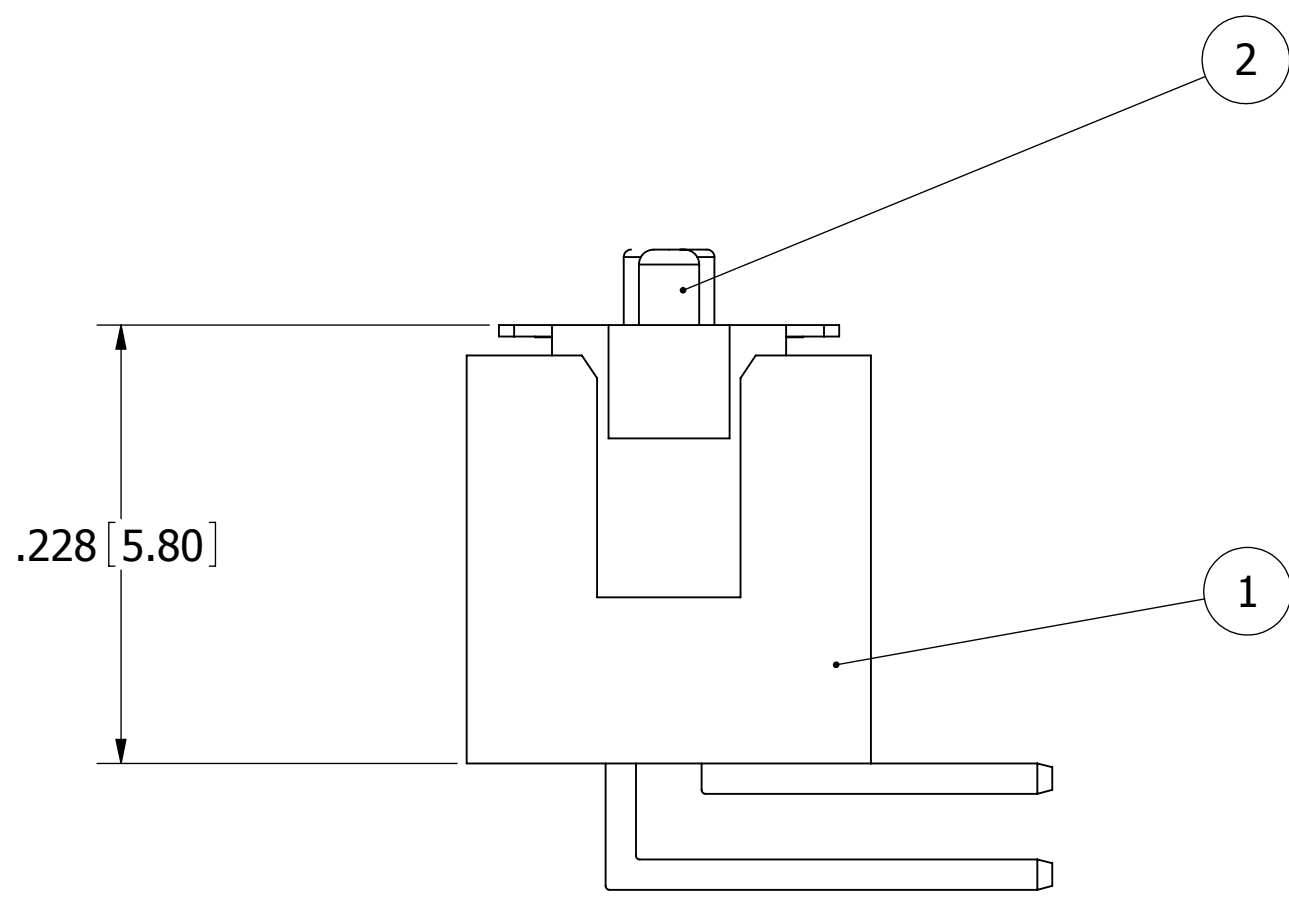
SULLINS
CONNECTOR SOLUTIONS

DESCRIPTION
BOX HEADER, .050[1.27] CC/RS, RA

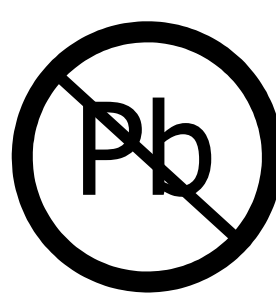
PART NUMBER
SBH31-NBPB-D__-RA__

SIZE	DWG. NO.	REV
C	11099	C

SCALE: 8:1 SHEET 1 OF 2



ITEM 1	SBH31-NBPB-D__-RA-__
ITEM 2 (MATES)	SFH31-NP_B-D__-SP-__ (with polarizing key)



RoHS COMPLIANT

UNLESS OTHERWISE SPECIFIED:
 DIMENSIONS ARE IN INCHES[MM]
 TOLERANCES:
 ANGULAR: ± 1°
 .XX=± .012 [0.30]
 .XXX=± .008 [0.20]
 .XXX=± .0004 [0.10]
 SURFACE FINISH: 63 R_a
 REMOVE ALL BURRS AND SHARP EDGES .010 MAX

INTERPRET DIMENSIONS AND GEOMETRIC TOLERANCING PER: ANSI Y14.5M-1994

DRAWN	DATE	NAME
LH	04/22/2010	LH

THE INFORMATION HEREIN CONTAINS PROPRIETARY INFORMATION OF SULLINS ELECTRONICS AND IS NOT TO BE REPRODUCED, USED OR DISCLOSED TO OTHERS FOR ANY PURPOSE EXCEPT AS SPECIFICALLY AUTHORIZED IN WRITING BY AN OFFICER OF SULLINS ELECTRONICS.

DESCRIPTION BOX HEADER, .050[1.27] CC/RS, RA		
PART NUMBER SBH31-NBPB-D__-RA-__		
SIZE	DWG. NO.	REV
C	11099	C
SCALE: 8:1		SHEET 2 OF 2