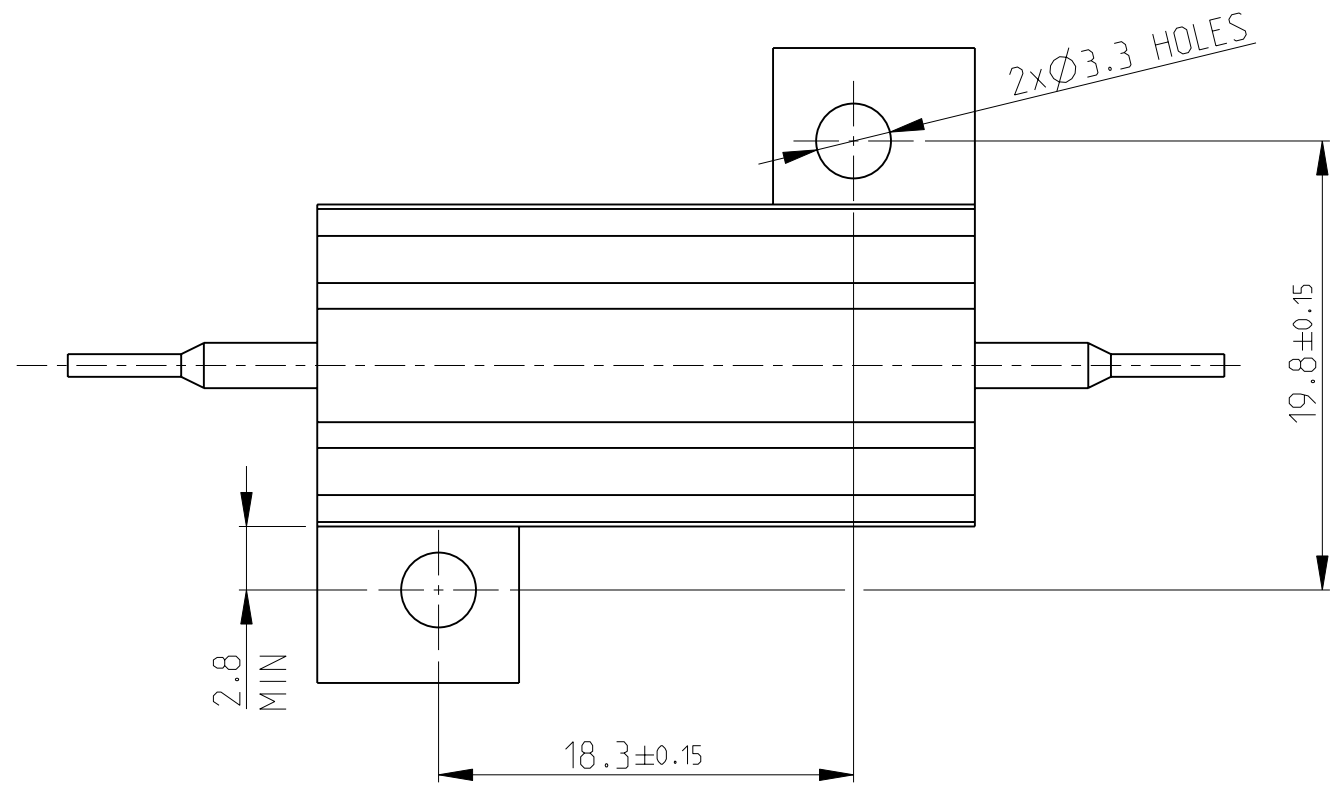


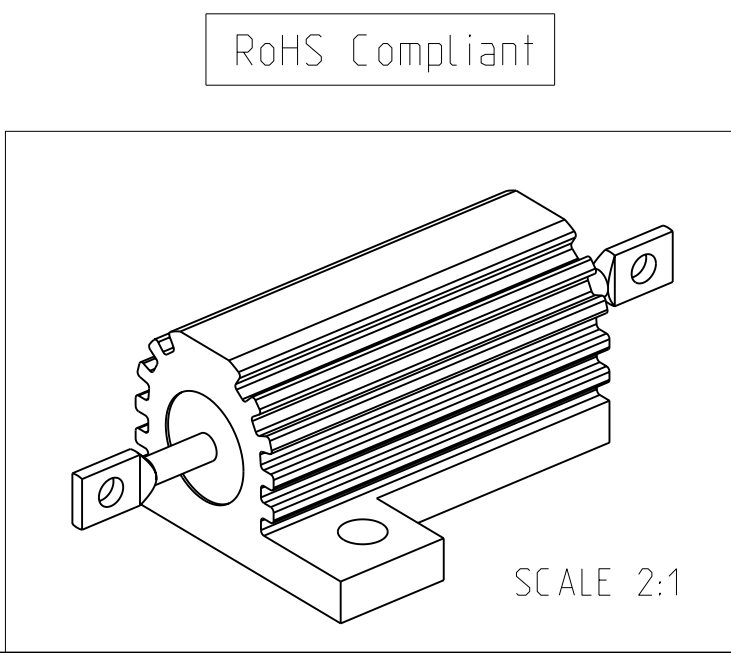
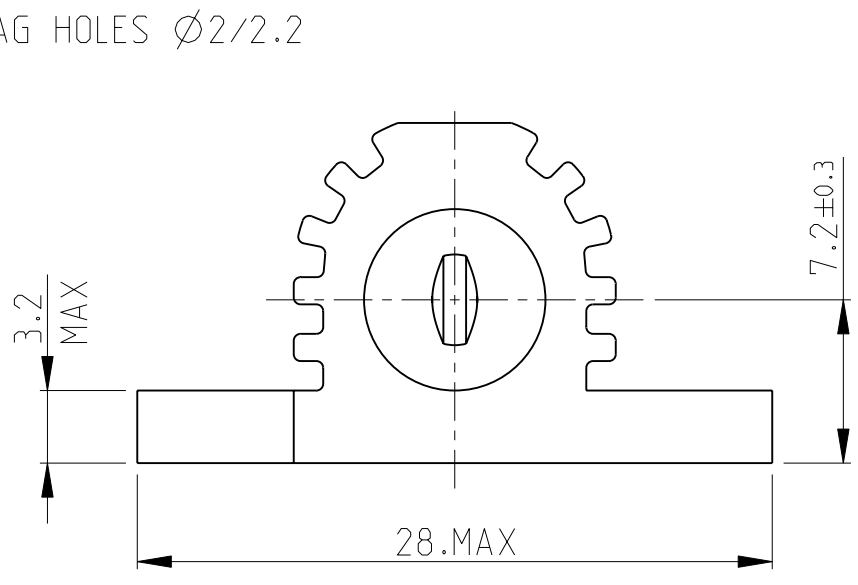
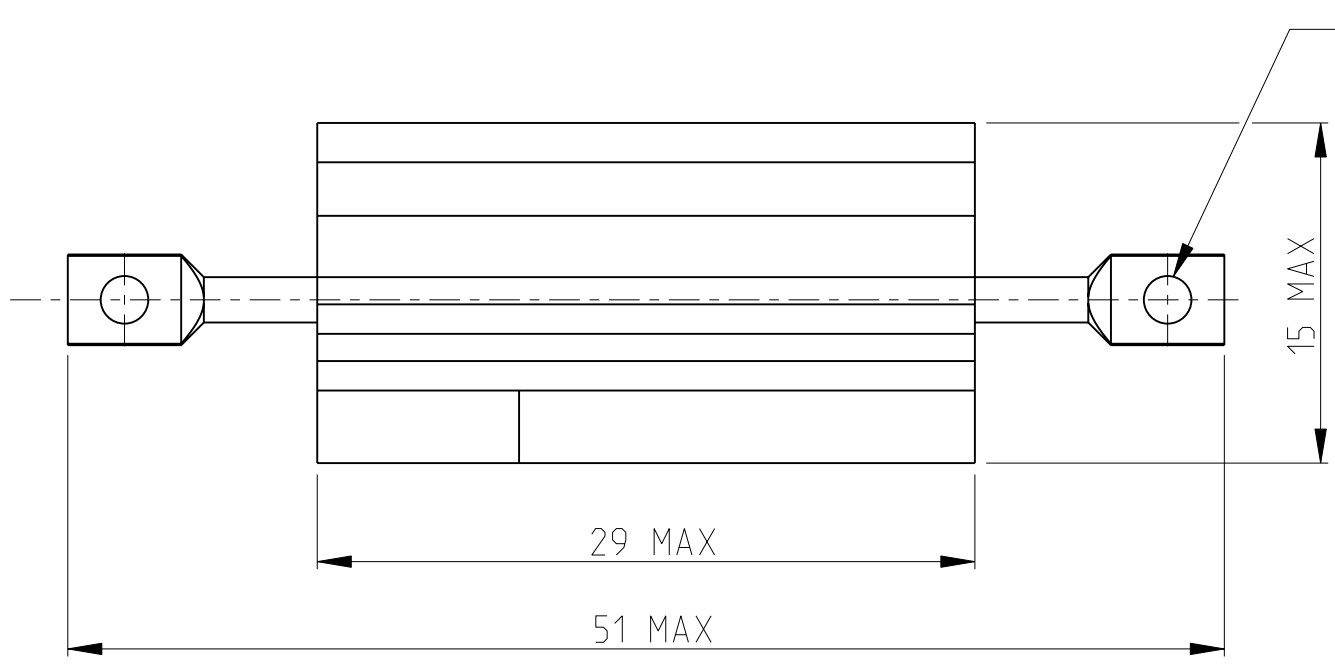
THIS DRAWING IS UNPUBLISHED. RELEASED FOR PUBLICATION OCT. 2005
 © COPYRIGHT 2005 BY TYCO ELECTRONICS CORPORATION. ALL RIGHTS RESERVED.

LOC	DIST	REVISIONS			
P	LTR	DESCRIPTION	DATE	DWN	APVD
E	B	B1	Released as per ECR-08-022292	4-Sep-08	SP JC



- FOR FURTHER INFORMATION SEE DATA SHEET FOR HS SERIES-ALUMINIUM HOUSED RESISTORS
- FOR A SPECIFIC PN FOR A RESISTANCE VALUE AND TOLERANCE, PLEASE REFER TO DMF
- TECHNICAL SPECIFICATION

DISSIPATION AT 25°C : 25 WATTS MOUNTED ON STANDARD HEATSINK
 BS OHMIC RANGE : R051 TO 27K
 STABILITY : ΔR < =1% PER 1000Hrs
 ISOLATION VOLTAGE : 2500V DC/AC pk
 MAX WORKING VOLTAGE : 500V DC/AC rms
 TEMP COEFFICIENT : > 1R0 50ppm
 > 100R 25ppm
 CLIMATIC CATEGORY : 55/200/56



THIS DRAWING IS A CONTROLLED DOCUMENT FOR TYCO ELECTRONICS CORPORATION IT IS SUBJECT TO CHANGE AND THE CONTROLLING ENGINEERING ORGANIZATION SHOULD BE CONTACTED FOR THE LATEST REVISION.		DWN DAVE KENNEDY 30.SEP.05	Tyco Electronics Corporation Dorcan, Swindon, SN3 5HH	
DIMENSIONS: mm		CHK J CATCHPOLE 03.OCT.05	NAME HSA25 METAL CLAD RESISTOR	
TOLERANCES UNLESS OTHERWISE SPECIFIED:		APVD J CATCHPOLE 03.OCT.05	RESTRICTED TO	
0 PLC ±0.5		PRODUCT SPEC -	SIZE A3	CAGE CODE 00779
1 PLC ±0.2		APPLICATION SPEC -	DRAWING NO C=1676625	SCALE 3:1
2 PLC ±0.1		WEIGHT -	SHEET 1 OF 1	REV B1
3 PLC ±		CUSTOMER DRAWING		
4 PLC ±				
ANGLES ±5°				
MATERIAL -				
FINISH -				