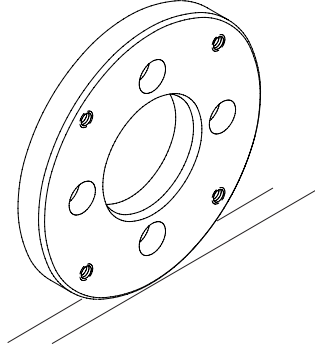


INTERNATIONAL HEADQUARTERS
 20 Willow Springs Circle, York, Pa. 17402, (717) 767-6511 FAX: (717) 764-0839
 Web site- <http://www.redlion-controls.com> E-mail- sales@redlion-controls.com

EUROPEAN HEADQUARTERS
 892 Plymouth Road, Slough, Berkshire SL1 4LP
 ENGLAND +44 1753 696888 FAX: +44 1753 696339

MODEL RPGAP - 1.5" (38.1 mm) to 2" (50.8 mm) RPG ADAPTER PLATE

- CONVENIENT ADAPTATION OF RPG'S TO A 2" MOUNTING CENTER
- CONSTRUCTED OF ALUMINUM



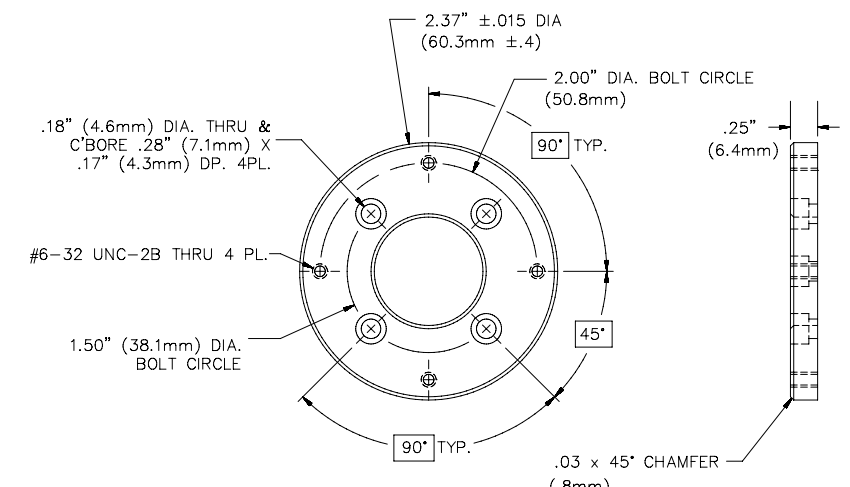
The 2" RPG Adapter Plate will allow an RLC Model RPGC or RPGQ encoder to be mounted to a 2" (50.8 mm) mounting center. Four #8-32 UNC-2A by 3/8" (9.5 mm) long socket head screws (Supplied with plate) are used to fasten the Adapter Plate to an RPGC or RPGQ (Recommended Torque - 45 in-lbs. [5-Nm]). The screws should be tightened in a crossing pattern using a 9/64" hex key wrench (Supplied). The RPGC or RPGQ unit with the Adapter Plate attached can then be mounted to an existing mounting bracket with four user supplied #6-32 screws.

ORDERING INFORMATION

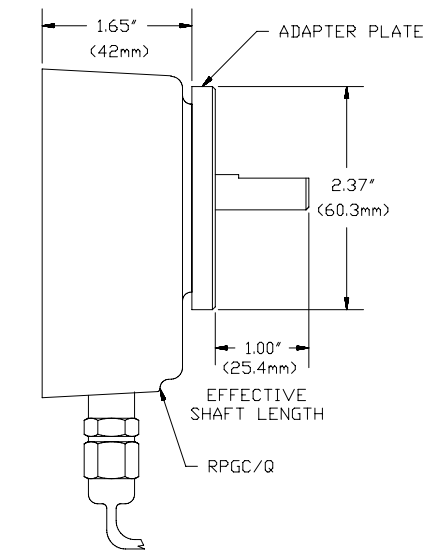
MODEL NO.	DESCRIPTION	PART NUMBER
RPGAP	ADAPTER PLATE	RPGAP000

DIMENSIONS

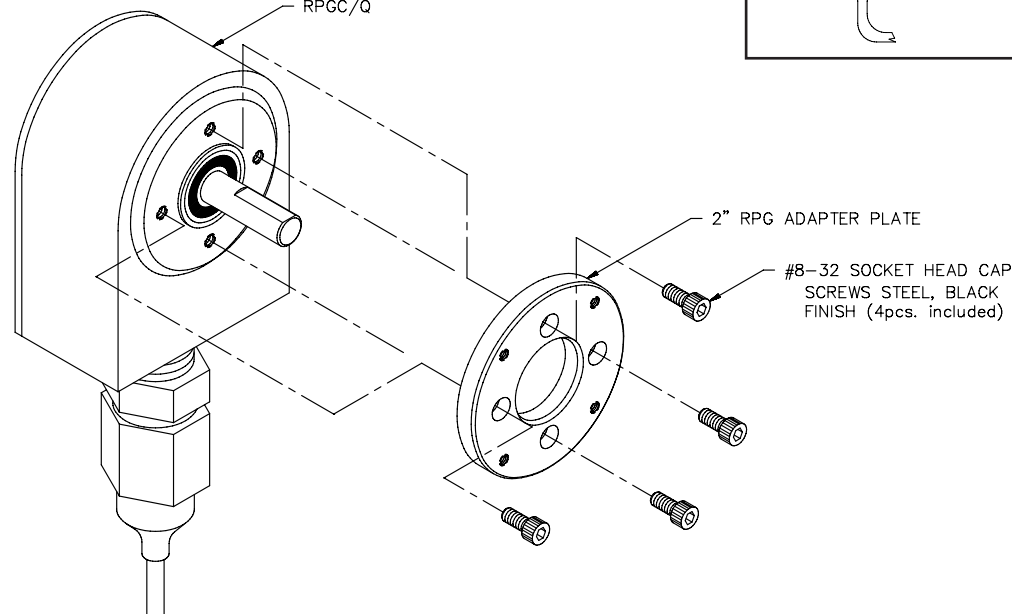
2" (50.8mm) RPG ADAPTER PLATE



OVERALL DIMENSIONS



ASSEMBLY



2" RPG ADAPTER PLATE

#8-32 SOCKET HEAD CAP SCREWS STEEL, BLACK FINISH (4pcs. included)