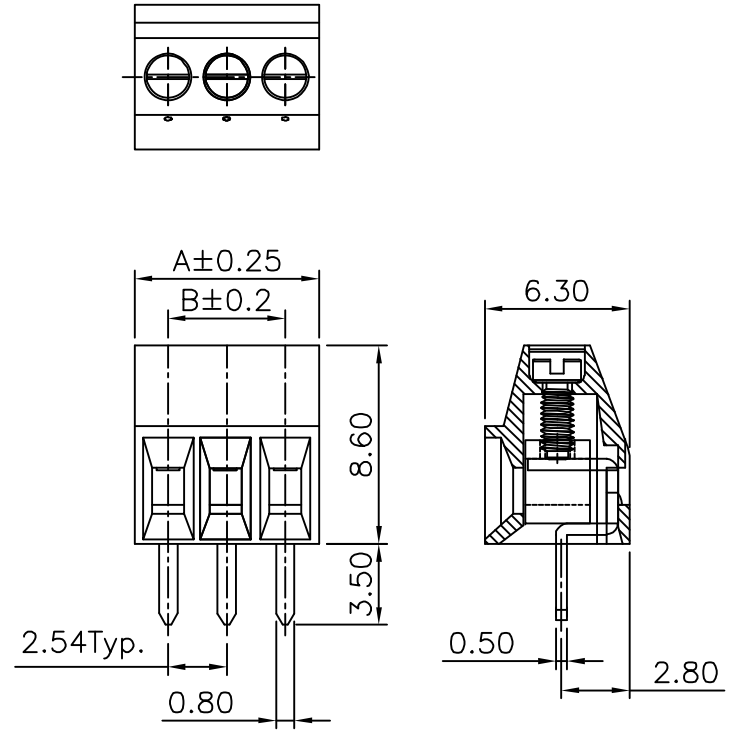


RoHS Compliant

Specifications:
 Rating:
 Current Rating: 5.0 Amp
 Voltage Rating: 300V AC/DC
 Operating Temperature Range: -40°~+105°C

Electrical:
 Contact resistance: 20m Ohm Max
 Insulator resistance: 5000M ohm min.
 Withstanding Voltage: 1500V AC/Minute



PART NO :	Dim A	Dim B
KF120-3P	8.0	5.08
KF120-4P	10.54	7.62
KF120-6P	15.62	12.7
KF120-8P	20.70	17.78
KF120-9P	23.24	20.32

No.	Name	Material
①	Body	Nylon 66 UL94V-0 Color:Green
②	Screw	Steel, Zinc Plated.
③	Pin	Brass With Tin Plated
④	Shrapnel	Phosphor Bronze With Tin Plated

A5			
A4			
A3			
A2			
A1	ORIGINAL	Tom Liu	Jul-12-2013
REV.	ECN. NO.	DR.BY	DATE

DR.BY.:
Tom Liu

CHKD.:
Jack Wu

APPD.:
Kane He

TITLE :
Terminal Block

PART NO : KF120-XP

DWG. NO.: CXKF130712-056

DATE: Jul-12-2013

GENERAL TOLERANCE:	
LINEAR	ANGLES
X.: ±0.30	X': ±5.0'
X.X: ±0.20	X.X': ±3.0'
X.XX: ±0.15	X.XX': ±2.0'
X.XXX: ±0.10	X.XXX': ±1.0'



UNIT: mm SCALE: 1:1 SHEET: 1/1

THIRD ANGLE PROJECTION

A4